

Jinbo Marine

Marine & Offshore Equipment Datasheet

PRODUCT DATASHEET

MOORING LINE

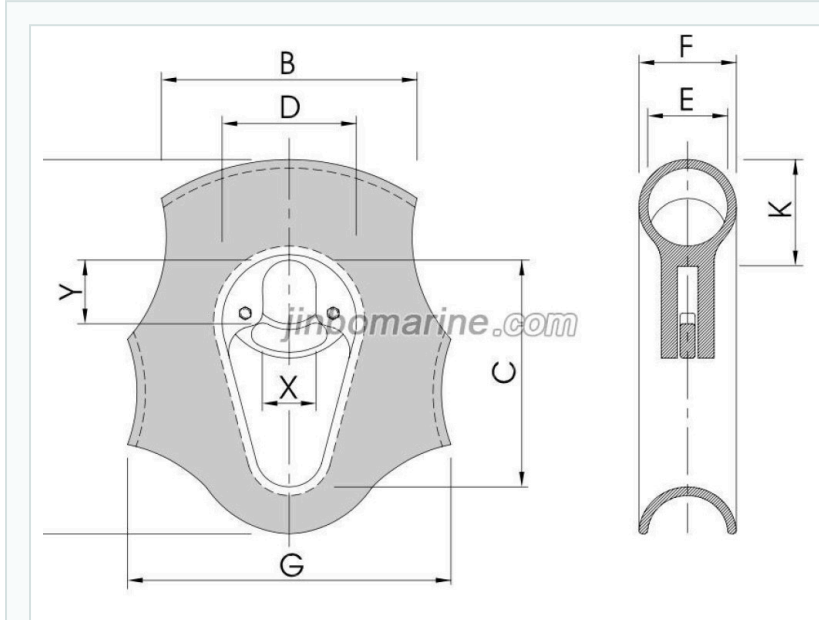
SPM Hawser Thimble

Material: Cast steel Stainless steel Finish: Galvanised (mild steel) Self coloured (stainless steel) Rope Size (inch) A(mm) ...

ISO9001 Supplier

Class Certificate

Export Supply



Key Highlights

Category	Mooring Line
Material	Material:
Weight / Size	Galvanised (mild steel) Self coloured (stainless steel) Rope Size (inch)...
Certificate	ABS, LR, BV, DNVGL, NK, KR, IRS, RMRS, CCS

We can supply according to your requirement, drawings, class certificate needs, and delivery schedule.

Technical Specifications

Category	Mooring Line	Model / SKU	SPM-Hawser-Thimble
Material	Material:	Weight / Size	Galvanised (mild steel) Self coloured (stainless steel) Rope Size (inch) A(mm) B(mm) C(mm) D(mm) E(mm) F(mm) G(mm) K(mm) X(mm) Y(mm) Weight(kg) 11"-13" 530 320 270 175 132 157 477 170 105 105 52 14"-15" 655 476 357 258 154 183 598 200 116 125 83 16"-18" 795 542 380 283 184 212 721 252 136 140 118 19"-21" 940 657 457 348 209 261 880 309 158 177 315 22"-24" 1043 814 575 410 244 298 867 360 180 200 406
Surface	Cast steel Stainless steel Finish:	Certificate	ABS, LR, BV, DNVGL, NK, KR, IRS, RMRS, CCS
Warranty	12 Months unless specified otherwise	Origin	China



China SPM Hawser Thimble:

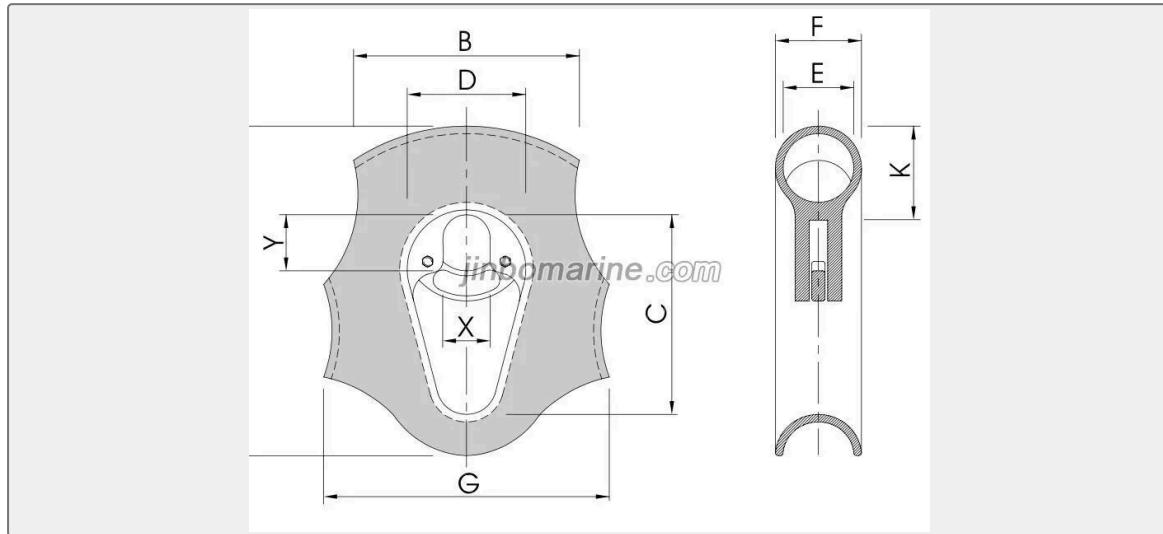
Material:

Cast steel Stainless steel

Finish:

Galvanised (mild steel)

Self coloured (stainless steel)



Rope Size (inch)	A(mm)	B(mm)	C(mm)	D(mm)	E(mm)	F(mm)	G(mm)	K(mm)	X(mm)	Y(mm)	Weight(kg)
11"-13"	530	320	270	175	132	157	477	170	105	105	52
14"-15"	655	476	357	258	154	183	598	200	116	125	83
16"-18"	795	542	380	283	184	212	721	252	136	140	118
19"-21"	940	657	457	348	209	261	880	309	158	177	315
22"-24"	1043	814	575	410	244	298	867	360	180	200	406