

Jinbo Marine

Marine & Offshore Equipment Datasheet

PRODUCT DATASHEET

YACHT & BOAT ACCESSORY

Spring Hook Casting, SS304 OR SS316

SIZE Φ mm A mm B mm C mm M5x50 4.8 50 28 10.5 M6x6...

ISO9001 Supplier

Class Certificate

Export Supply



Key Highlights

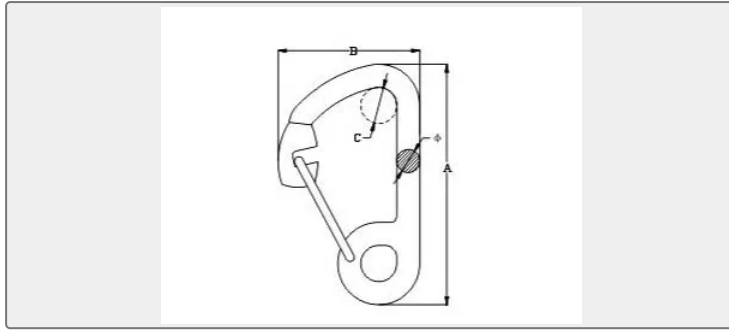
Category	Yacht & Boat Accessory
Material	Stainless steel
Weight / Size	SIZE Φ mm A mm B mm C mm M5x50 4.8 50 28 10.5 M6x60 5.7 60 34.5 12.5 M8x...
Certificate	ABS, LR, BV, DNVGL, NK, KR, IRS, RMRS, CCS

We can supply according to your requirement, drawings, class certificate needs, and delivery schedule.

Technical Specifications

Category	Yacht & Boat Accessory	Model / SKU	SPRING-HOOK-CASTING-SS304-OR-SS316
Material	Stainless steel	Weight / Size	SIZE Φ mm A mm B mm C mm M5x50 4.8 50 28 10.5 M6x60 5.7 60 34.5 12.5 M8x80 7.7 80 46 17 M10x100 9.8 100 58 20.5 M12x120 11.8 120 72 25 M14x140 13.7 140 85.5 20 M16x160 15.7 160 98 25
Certificate	ABS, LR, BV, DNVGL, NK, KR, IRS, RMRS, CCS	Warranty	12 Months unless specified otherwise
Origin	China		

China Spring Hook Casting, SS304 OR SS316:



SIZE	Φ mm	A mm	B mm	C mm
M5x50	4.8	50	28	10.5
M6x60	5.7	60	34.5	12.5
M8x80	7.7	80	46	17
M10x100	9.8	100	58	20.5
M12x120	11.8	120	72	25
M14x140	13.7	140	85.5	20
M16x160	15.7	160	98	25