

Jinbo Marine

Marine & Offshore Equipment Datasheet

PRODUCT DATASHEET

MARINE KITCHEN GALLEY

SS-250 Marine Bread Slicer

SS-250 Marine Bread Slicer 1. All stainless steel structure 2. Suitable for all kinds of bread slices 3. Professional design, uniform cutting force, smooth cutting surface 4. Using high-quality motor, large torq...

ISO9001 Supplier

Class Certificate

Export Supply



Key Highlights

Category	Marine Kitchen Galley
Standard	EN
Material	SS
Weight / Size	High efficiency, quiet operation, simple operation SS-250 Marine Bread S...
Certificate	ABS, LR, BV, DNVGL, NK, KR, IRS, RMRS, CCS

We can supply according to your requirement, drawings, class certificate needs, and delivery schedule.

Technical Specifications

Category	Marine Kitchen Galley	Model / SKU	SS-250-Marine-Bread-Slicer
Standard	EN	Material	SS
Weight / Size	High efficiency, quiet operation, simple operation SS-250 Marine Bread Slicer Drawing SS-250 Marine Bread Slicer Model SS-250 SS-300 Blade Size \varnothing 250MM \varnothing 300MM Cutting Thickness 0.2-15MM 0.2-15MM Voltage 220v-1PH-50Hz/60Hz Power(kw) 0.15 0.25 Size(mm) 485X406X367 680X510X440 Weight(kg) 16 20	Surface	Professional design, uniform cutting force, smooth cutting surface 4.
Certificate	ABS, LR, BV, DNVGL, NK, KR, IRS, RMRS, CCS	Warranty	12 Months unless specified otherwise
Origin	China		



0.078718s

CONTENTS

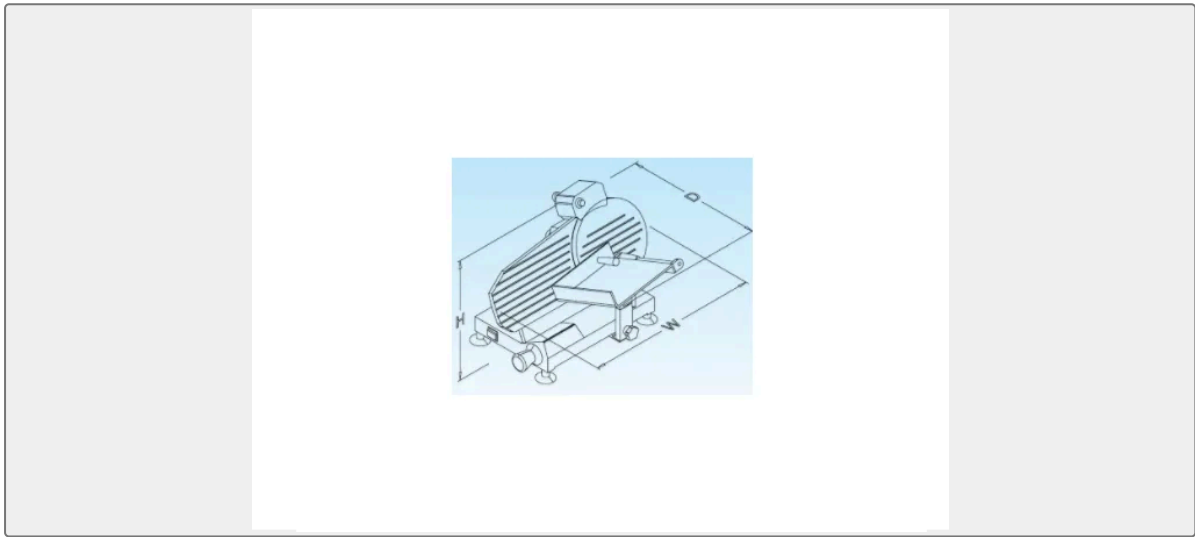
- SS-250 Marine Bread Slicer
- SS-250 Marine Bread Slicer

- SS-250 Marine Bread Slicer Drawing

SS-250 Marine Bread Slicer

1. All stainless steel structure
2. Suitable for all kinds of bread slices
3. Professional design, uniform cutting force, smooth cutting surface
4. Using high-quality motor, large torque, low noise
5. High efficiency, quiet operation, simple operation

SS-250 Marine Bread Slicer Drawing



SS-250 Marine Bread Slicer

Model	SS-250	SS-300
Blade Size	φ250MM	φ300MM
Cutting Thickness	0.2-15MM	0.2-15MM
Voltage	220v-1PH-50Hz/60Hz	
Power(kw)	0.15	0.25
Size(mm)	485X406X367	680X510X440
Weight(kg)	16	20