

# Jinbo Marine

Marine & Offshore Equipment Datasheet

PRODUCT DATASHEET

## MARINE KITCHEN GALLEY

# SS200-39 Marine Sewage Crusher With Pool

ISO9001 Supplier

Class Certificate

Export Supply

SS200-39 Marine Sewage Crusher With Pool 1. Stainless steel structure and body 2. Large diameter sewage outlet 3. With control box, easy to operate 4. With forward and reverse function 5. Wet grinding method to...



### Key Highlights

Category	Marine Kitchen Galley
Standard	DIN
Material	SS
Weight / Size	The weight has been given before SS200-39 Marine Sewage Crusher With Poo...
Certificate	ABS, LR, BV, DNVGL, NK, KR, IRS, RMRS, CCS

We can supply according to your requirement, drawings, class certificate needs, and delivery schedule.



Technical Specifications			
<b>Category</b>	Marine Kitchen Galley	<b>Model / SKU</b>	SS200-39-Marine-Sewage-Crusher-With-Pool
<b>Standard</b>	DIN	<b>Material</b>	SS
<b>Weight / Size</b>	The weight has been given before SS200-39 Marine Sewage Crusher With Pool Drawing SS200-39 Marine Sewage Crusher With Pool Parameters Model LC5-13 SS100-35 SS200- 39 510A 515A JZFXJ15-00 Crushing Amount 150kg/h 300kg/h 400kg/h 300kg/h 400kg/h 1- 15kg/min Voltage 0.45 0.75 1.5 0.75 1.1 1.5 Power(kw) 220v-1PH- 50Hz/60Hz 380/415V-3PH-50Hz 380/415V-3PH-50Hz 440/480v 3ph-60Hz Size(mm) φ204x362 320x240x432 370X300X468 φ253x427 φ253x427 420x403x855 Weight(kg) 16 23 50 26 29 100	<b>Certificate</b>	ABS, LR, BV, DNVGL, NK, KR, IRS, RMRS, CCS
<b>Warranty</b>	12 Months unless specified otherwise	<b>Origin</b>	China

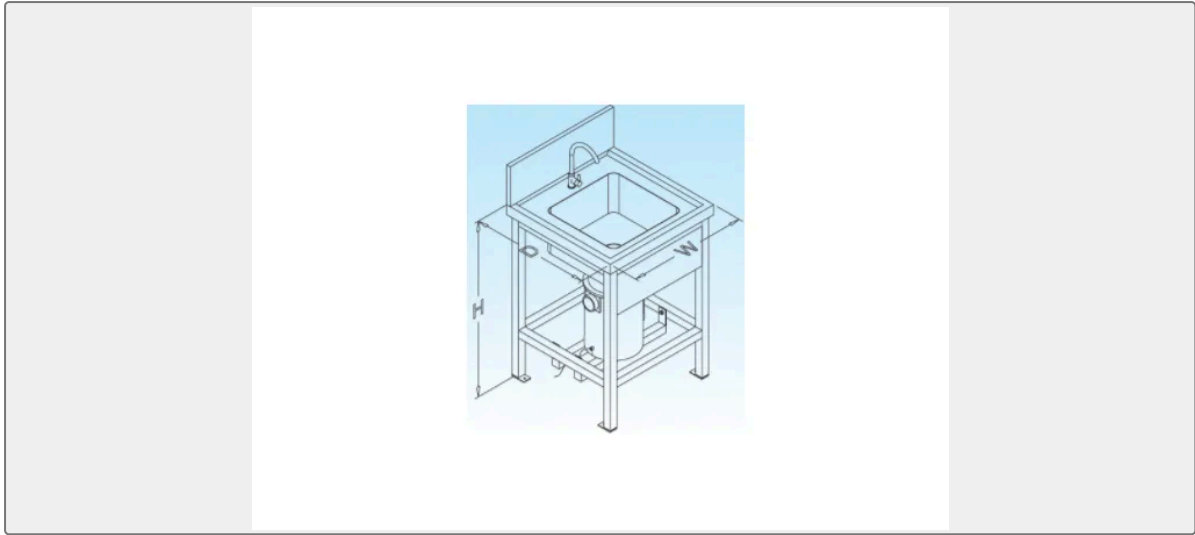
<b>CONTENTS</b>	<ul style="list-style-type: none"> <li>■ SS200-39 Marine Sewage Crusher With Pool</li> <li>■ SS200-39 Marine Sewage Crusher With Pool Parameters</li> </ul>	<ul style="list-style-type: none"> <li>■ SS200-39 Marine Sewage Crusher With Pool Drawing</li> </ul>
-----------------	---	--

## SS200-39 Marine Sewage Crusher With Pool

1. Stainless steel structure and body
2. Large diameter sewage outlet
3. With control box, easy to operate
4. With forward and reverse function
5. Wet grinding method to treat food residues
6. Motor overload protection, safe and convenient
7. The weight has been given before



## SS200-39 Marine Sewage Crusher With Pool Drawing



## SS200-39 Marine Sewage Crusher With Pool Parameters

Model	LC5-13	SS100-35	SS200-39	510A	515A	JZFXJ15-00
Crushing Amount	150kg/h	300kg/h	400kg/h	300kg/h	400kg/h	1-15kg/min
Voltage	0.45	0.75	1.5	0.75	1.1	1.5
Power(kw)	220v-1PH-50Hz/60Hz		380/415V-3PH-50Hz	380/415V-3PH-50Hz 440/480v 3ph-60Hz		
Size(mm)	φ204x362	320x240x432	370X300X468	φ253x427	φ253x427	420x403x855
Weight(kg)	16	23	50	26	29	100