

Jinbo Marine

Marine & Offshore Equipment Datasheet

PRODUCT DATASHEET

DRAG ANCHOR

ST Offshore Anchor

ST Offshore Anchor High Holding Power Anchor Weight: 500kgs to 30000kgs For specific dimension, please contact us.

ISO9001 Supplier

Class Certificate

Export Supply



Key Highlights

Category	Drag Anchor
Standard	DIN
Material	High Grade Steel Plate
Weight / Size	500kgs to 30000kgs
Certificate	ABS, LR, BV, DNVGL, NK, KR, IRS, RMRS, CCS

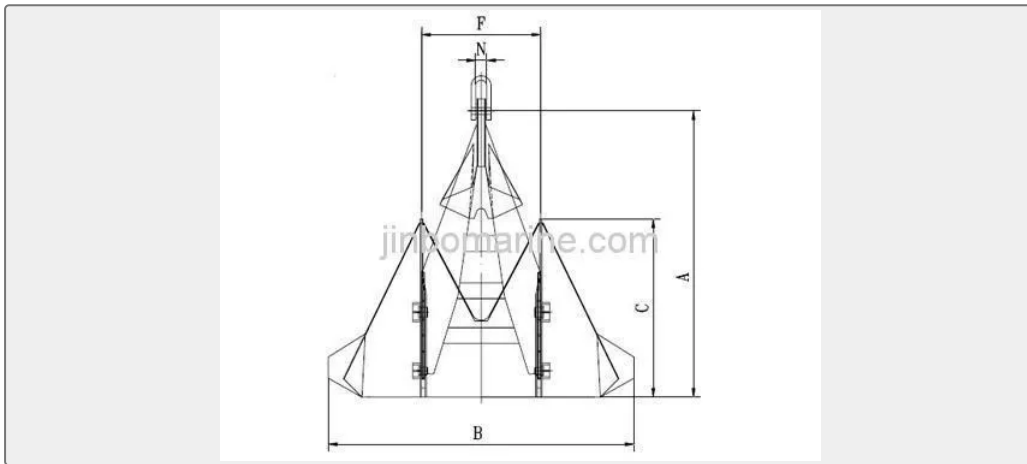
We can supply according to your requirement, drawings, class certificate needs, and delivery schedule.

Technical Specifications

Category	Drag Anchor	Model / SKU	ST-Offshore-Anchor
Standard	DIN	Material	High Grade Steel Plate
Weight / Size	500kgs to 30000kgs	Certificate	ABS, LR, BV, DNVGL, NK, KR, IRS, RMRS, CCS
Warranty	12 Months unless specified otherwise	Origin	China

 0.045020s

China ST Offshore Anchor:



ST Offshore Anchor

High Holding Power Anchor

Weight: 500kgs to 30000kgs

For specific dimension, please contact us.