

Jinbo Marine

Marine & Offshore Equipment Datasheet

PRODUCT DATASHEET**YACHT & BOAT ACCESSORY****Straight Snap Hook, SS304 OR SS316
,Steel Electric Galvanized**

ISO9001 Supplier

Class Certificate

Export Supply

SIZE Φ A mm B mm C mm F mm W.L.L LBS 5*50 5 25 50 9 ...**Key Highlights**

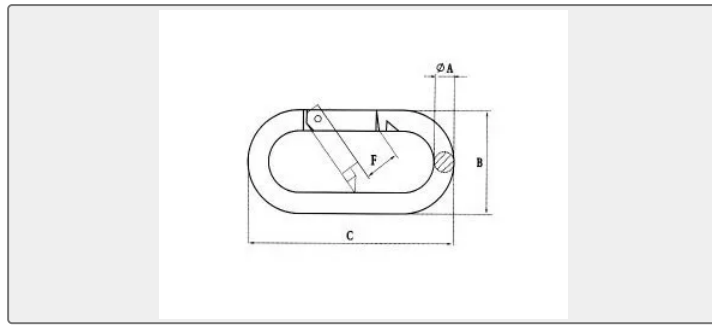
Category	Yacht & Boat Accessory
Material	Stainless steel
Weight / Size	SIZE Φ A mm B mm C mm F mm W.L.L LBS 5*50 5 25 50 9 100 6*60 6 30 60 11 140 8*80 8 40 80 13 250 10*100 10 50 100 16 400 11*120 11 58 120 21 500
Certificate	ABS, LR, BV, DNVGL, NK, KR, IRS, RMRS, CCS

We can supply according to your requirement, drawings, class certificate needs, and delivery schedule.

Technical Specifications

Category	Yacht & Boat Accessory	Model / SKU	STRAIGHT-SNAP-HOOK-SS304-OR-SS316-STEEL-ELECTRIC-GALVANIZED
Material	Stainless steel	Weight / Size	SIZE Φ A mm B mm C mm F mm W.L.L LBS 5*50 5 25 50 9 100 6*60 6 30 60 11 140 8*80 8 40 80 13 250 10*100 10 50 100 16 400 11*120 11 58 120 21 500
Certificate	ABS, LR, BV, DNVGL, NK, KR, IRS, RMRS, CCS	Warranty	12 Months unless specified otherwise
Origin	China		

China Straight Snap Hook, SS304 OR SS316 ,Steel Electric Galvanized:



SIZE	ΦA mm	B mm	C mm	F mm	W.L.L LBS
5*50	5	25	50	9	100
6*60	6	30	60	11	140
8*80	8	40	80	13	250
10*100	10	50	100	16	400
11*120	11	58	120	21	500