

TURNBUCKLE

Stud Terminal, SS304 OR SS316

SIZE Φ mm A mm B mm C mm D mm 2.7 2.7 86 40 35 ...

ISO9001 Supplier

Class Certificate

Export Supply



Key Highlights

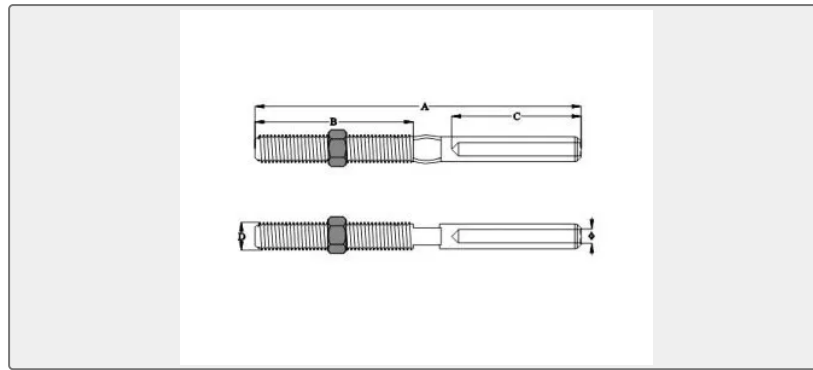
Category	Turnbuckle
Material	Stainless steel
Weight / Size	SIZE Φ mm A mm B mm C mm D mm 2.7 2.7 86 40 35 M5 3.2 3.2 90 40 40 M5 3....
Certificate	ABS, LR, BV, DNVGL, NK, KR, IRS, RMRS, CCS

We can supply according to your requirement, drawings, class certificate needs, and delivery schedule.

Technical Specifications

Category	Turnbuckle	Model / SKU	STUD-TER-SS304-OR-SS316
Material	Stainless steel	Weight / Size	SIZE Φ mm A mm B mm C mm D mm 2.7 2.7 86 40 35 M5 3.2 3.2 90 40 40 M5 3.3 3.3 97 48 38 M6 4 4 109 49 48 M6 4.3 4.3 115 54 45 M8 5.3 5.3 128 61 52 M10 6.3 6.3 130 63 52 M10 6.3 6.3 162 79 63 M12 7.3 7.3 178 90 70 M14 8.3 8.3 214 102 80 M16 10.5 10.5 215 105 90 M20 12.5 12.5 260 120 120 M20 14.8 14.8 300 140 140 M20 17 17 355 170 160 M24 21 21 425 180 200 M30
Certificate	ABS, LR, BV, DNVGL, NK, KR, IRS, RMRS, CCS	Warranty	12 Months unless specified otherwise
Origin	China		

China Stud Terminal, SS304 OR SS316:



SIZE	Φ mm	A mm	B mm	C mm	D mm
2.7	2.7	86	40	35	M5
3.2	3.2	90	40	40	M5
3.3	3.3	97	48	38	M6
4	4	109	49	48	M6
4.3	4.3	115	54	45	M8
5.3	5.3	128	61	52	M10
6.3	6.3	130	63	52	M10
6.3	6.3	162	79	63	M12
7.3	7.3	178	90	70	M14
8.3	8.3	214	102	80	M16
10.5	10.5	215	105	90	M20
12.5	12.5	260	120	120	M20
14.8	14.8	300	140	140	M20
17	17	355	170	160	M24
21	21	425	180	200	M30