


TURNBUCKLE

Swage Fork Terminal MT Form Stainless Steel

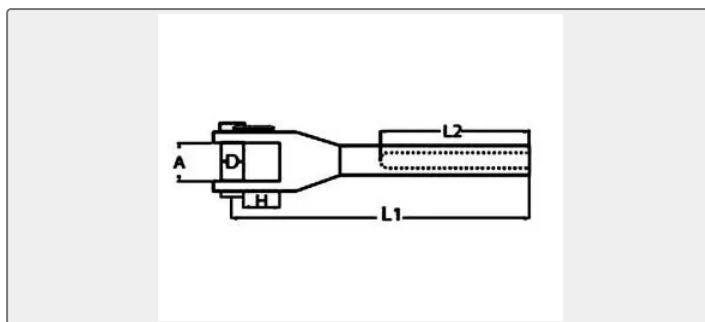
- ISO9001 Supplier
- Class Certificate
- Export Supply

SIZE WIRE mm L1 mm L2 mm A mm D mm H mm D2 mm 3 3 73 ...

	<h3 style="margin: 0;">Key Highlights</h3> <table border="1" style="width: 100%; border-collapse: collapse; margin-top: 10px;"> <tr> <td style="width: 20%;">Category</td> <td>Turnbuckle</td> </tr> <tr> <td>Material</td> <td>Stainless steel</td> </tr> <tr> <td>Weight / Size</td> <td>SIZE WIRE mm L1 mm L2 mm A mm D mm H mm D2 mm 3 3 73 39 7.5 6 10 6.5 4 4... 86 45 11 8 11 7.5 5 5 100 52 12 9 14 9 6 6 128 64 14 12 20 12.5 7 7 135 70 15 12 22 14.2 8 8 155 80 17 16 26 16</td> </tr> <tr> <td>Certificate</td> <td>ABS, LR, BV, DNVGL, NK, KR, IRS, RMRS, CCS</td> </tr> </table> <p style="font-size: small; margin-top: 10px;">We can supply according to your requirement, drawings, class certificate needs, and delivery schedule.</p>	Category	Turnbuckle	Material	Stainless steel	Weight / Size	SIZE WIRE mm L1 mm L2 mm A mm D mm H mm D2 mm 3 3 73 39 7.5 6 10 6.5 4 4... 86 45 11 8 11 7.5 5 5 100 52 12 9 14 9 6 6 128 64 14 12 20 12.5 7 7 135 70 15 12 22 14.2 8 8 155 80 17 16 26 16	Certificate	ABS, LR, BV, DNVGL, NK, KR, IRS, RMRS, CCS
Category	Turnbuckle								
Material	Stainless steel								
Weight / Size	SIZE WIRE mm L1 mm L2 mm A mm D mm H mm D2 mm 3 3 73 39 7.5 6 10 6.5 4 4... 86 45 11 8 11 7.5 5 5 100 52 12 9 14 9 6 6 128 64 14 12 20 12.5 7 7 135 70 15 12 22 14.2 8 8 155 80 17 16 26 16								
Certificate	ABS, LR, BV, DNVGL, NK, KR, IRS, RMRS, CCS								

Technical Specifications			
Category	Turnbuckle	Model / SKU	SWAGE-FORK-TERMINAL-MT-FORM-STAINLESS-STEEL
Material	Stainless steel	Weight / Size	SIZE WIRE mm L1 mm L2 mm A mm D mm H mm D2 mm 3 3 73 39 7.5 6 10 6.5 4 4 86 45 11 8 11 7.5 5 5 100 52 12 9 14 9 6 6 128 64 14 12 20 12.5 7 7 135 70 15 12 22 14.2 8 8 155 80 17 16 26 16
Certificate	ABS, LR, BV, DNVGL, NK, KR, IRS, RMRS, CCS	Warranty	12 Months unless specified otherwise
Origin	China		

China Swage Fork Terminal MT Form Stainless Steel:



SIZE	WIRE mm	L1 mm	L2 mm	A mm	D mm	H mm	D2 mm
3	3	73	39	7.5	6	10	6.5
4	4	86	45	11	8	11	7.5
5	5	100	52	12	9	14	9
6	6	128	64	14	12	20	12.5
7	7	135	70	15	12	22	14.2
8	8	155	80	17	16	26	16