

Jinbo Marine

Marine & Offshore Equipment Datasheet

PRODUCT DATASHEET

SHACKLE

Swage Toggle, SS304 OR SS316

A mm B mm C mm D mm E mm SWL kgs BL kgs 6 4 5.5 5 ...

ISO9001 Supplier

Class Certificate

Export Supply



Key Highlights

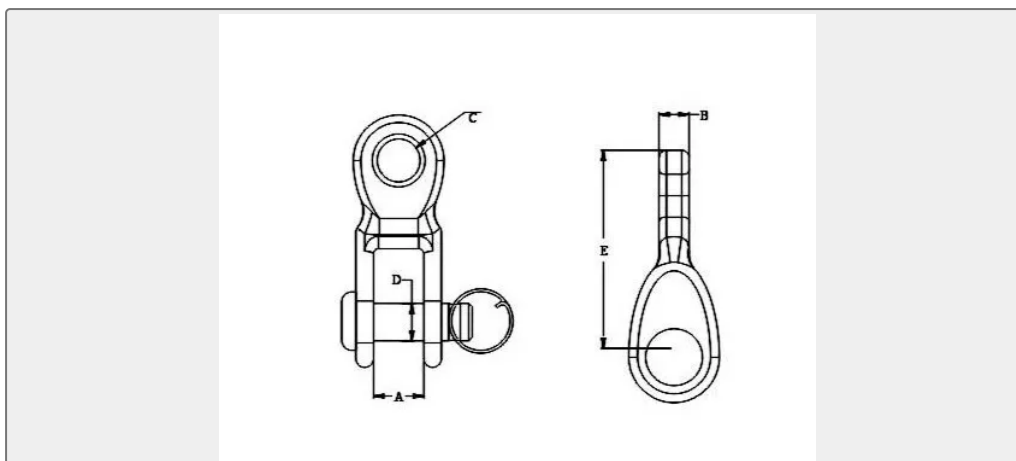
Category	Shackle
Material	Stainless steel
Weight / Size	A mm B mm C mm D mm E mm SWL kgs BL kgs 6 4 5.5 5 36.2 250 1000 7 5 6.6 ...
Certificate	ABS, LR, BV, DNVGL, NK, KR, IRS, RMRS, CCS

We can supply according to your requirement, drawings, class certificate needs, and delivery schedule.

Technical Specifications

Category	Shackle	Model / SKU	SWAGE-TOGGLE-SS304-OR-SS316
Material	Stainless steel	Weight / Size	A mm B mm C mm D mm E mm SWL kgs BL kgs 6 4 5.5 5 36.2 250 1000 7 5 6.6 6 40.9 312 1250 10 6 8.5 8 50 425 1700 12 7 10 9 58 775 3100 13 9 13 12 78 1162 4650 15 10 15 15 92 1437 5700 17 12 16.5 16 116 2037 8100
Certificate	ABS, LR, BV, DNVGL, NK, KR, IRS, RMRS, CCS	Warranty	12 Months unless specified otherwise
Origin	China		

China Swage Toggle, SS304 OR SS316:



A mm	B mm	C mm	D mm	E mm	SWL kgs	BL kgs
6	4	5.5	5	36.2	250	1000
7	5	6.6	6	40.9	312	1250
10	6	8.5	8	50	425	1700
12	7	10	9	58	775	3100
13	9	13	12	78	1162	4650
15	10	15	15	92	1437	5700
17	12	16.5	16	116	2037	8100