

Jinbo Marine

Marine & Offshore Equipment Datasheet

PRODUCT DATASHEET

TURNBUCKLE

Swageless Thread Terminal, SS304 OR SS316

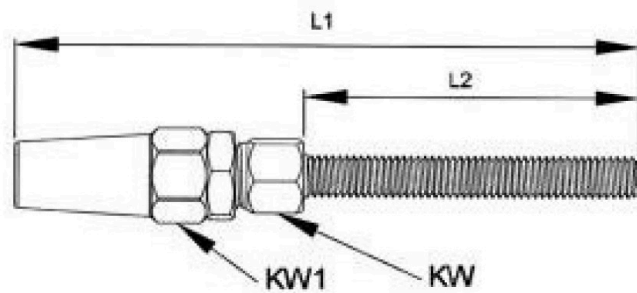
ISO9001 Supplier

Class Certificate

Export Supply

SIZE DI DIAM WIRE(mm) G L1 mm L2 mm KW mm KW1 mm WEIGHT 100PCS (kg) $\Phi 3^*M5$

...



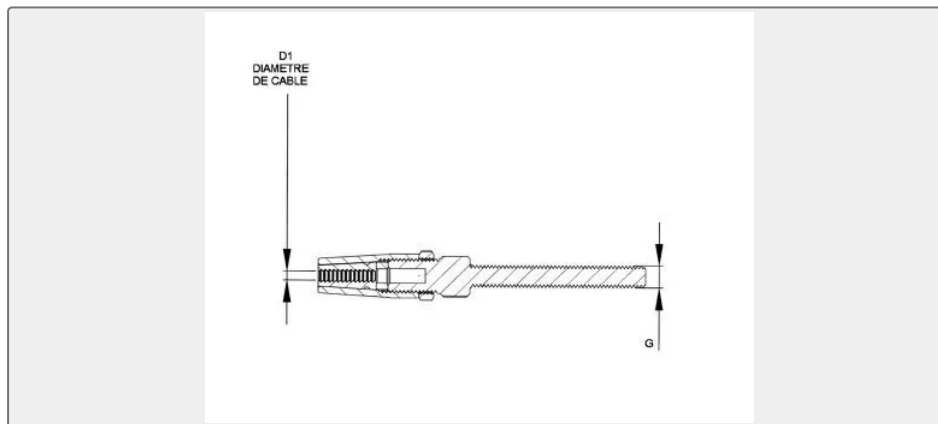
Key Highlights

Category	Turnbuckle
Material	Stainless steel
Weight / Size	SIZE DI DIAM WIRE(mm) G L1 mm L2 mm KW mm KW1 mm WEIGHT 100PCS (kg) $\Phi 3^*M...$
Certificate	ABS, LR, BV, DNVGL, NK, KR, IRS, RMRS, CCS

We can supply according to your requirement, drawings, class certificate needs, and delivery schedule.

Technical Specifications			
Category	Turnbuckle	Model / SKU	SWAGELESS-THREAD-TERMINAL-SS304-OR-SS316
Material	Stainless steel	Weight / Size	SIZE DI DIAM WIRE(mm) G L1 mm L2 mm KW mm KW1 mm WEIGHT 100PCS (kg) Φ 3*M5 3 M5 82 41 10 12 3.2 Φ 3*M6 3 M6 88 47 10 12 3.6 Φ 4*M6 4 M6 96 47 12 14 5.4 Φ 4*M8 4 M8 106 56 12 14 6.2 Φ 5*M8 5 M8 112 56 14 16 8.4 Φ 5*M10 5 M10 118 62 13 16 9.6 Φ 6*M10 6 M10 124 62 16 19 13.6 Φ 6*M12 6 M12 144 79 16 19 16.4 Φ 8*M14 8 M14 168 88 19 24 29.8 Φ 8*M16 8 M16 180 99 19 24 33.8
Certificate	ABS, LR, BV, DNVGL, NK, KR, IRS, RMRS, CCS	Warranty	12 Months unless specified otherwise
Origin	China		

China Swageless Thread Terminal, SS304 OR SS316:



SIZE	DI DIAM WIRE(mm)	G	L1 mm	L2 mm	KW mm	KW1 mm	WEIGHT 100PCS (kg)
Φ 3*M5	3	M5	82	41	10	12	3.2
Φ 3*M6	3	M6	88	47	10	12	3.6
Φ 4*M6	4	M6	96	47	12	14	5.4
Φ 4*M8	4	M8	106	56	12	14	6.2
Φ 5*M8	5	M8	112	56	14	16	8.4
Φ 5*M10	5	M10	118	62	13	16	9.6

Φ6*M110	6	M10	124	62	16	19	13.6
Φ6*M12	6	M12	144	79	16	19	16.4
Φ8*M14	8	M14	168	88	19	24	29.8
Φ8*M16	8	M16	180	99	19	24	33.8