

Jinbo Marine

Marine & Offshore Equipment Datasheet

PRODUCT DATASHEET

YACHT & BOAT ACCESSORY

Swivel Eye Snap,SS304 OR SS316 CSSH05

ISO9001 Supplier

Class Certificate

Export Supply

SIZE A mm B mm C mm SWL kgs BL kgs 0 8.5 15 69 38 ...



Key Highlights

Category	Yacht & Boat Accessory
Material	Stainless steel
Weight / Size	SIZE A mm B mm C mm SWL kgs BL kgs 0 8.5 15 69 38 150 1 9.8 21 86 43 170...
Certificate	ABS, LR, BV, DNVGL, NK, KR, IRS, RMRS, CCS

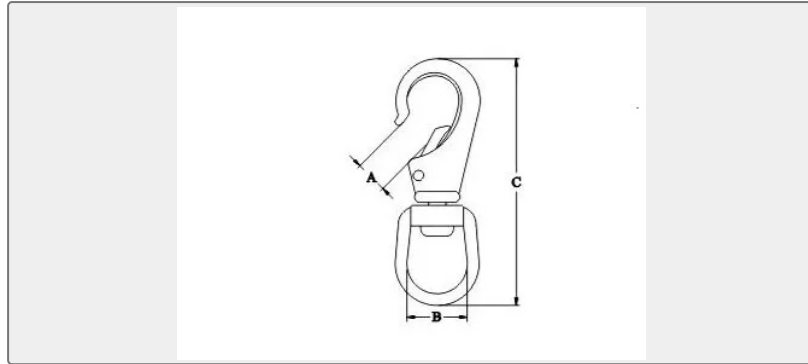
We can supply according to your requirement, drawings, class certificate needs, and delivery schedule.

Technical Specifications

Category	Yacht & Boat Accessory	Model / SKU	SWIVEL-EYE-SNAP-SS304-OR-SS316-CSSH05
Material	Stainless steel	Weight / Size	SIZE A mm B mm C mm SWL kgs BL kgs 0 8.5 15 69 38 150 1 9.8 21 86 43 170 2 11.5 21 99.5 63 250 3 13 22 117.5 85 340
Certificate	ABS, LR, BV, DNVGL, NK, KR, IRS, RMRS, CCS	Warranty	12 Months unless specified otherwise
Origin	China		



China Swivel Eye Snap,SS304 OR SS316 CSSH05:



SIZE	A mm	B mm	C mm	SWL kgs	BL kgs
0	8.5	15	69	38	150
1	9.8	21	86	43	170
2	11.5	21	99.5	63	250
3	13	22	117.5	85	340