

MARINE GENERATOR

# SXC027 Mechanical Spring Starter For Emergency Diesel Engine

ISO9001 Supplier

Class Certificate

Export Supply

Deascription: SXC027 Mechanical Spring Starter For Emergency Diesel Engine, we have hand crank starter, Inertia starter, mechanical starter, mechanical spring starter ,manual starter, most application on engine ...



### Key Highlights

<b>Category</b>	Marine Generator
<b>Standard</b>	DIN
<b>Weight / Size</b>	Dalin Spring Starter Series 5 Series 1 Series MD HD Mounting Flange SAE#...
<b>Certificate</b>	ABS, LR, BV, DNVGL, NK, KR, IRS, RMRS, CCS

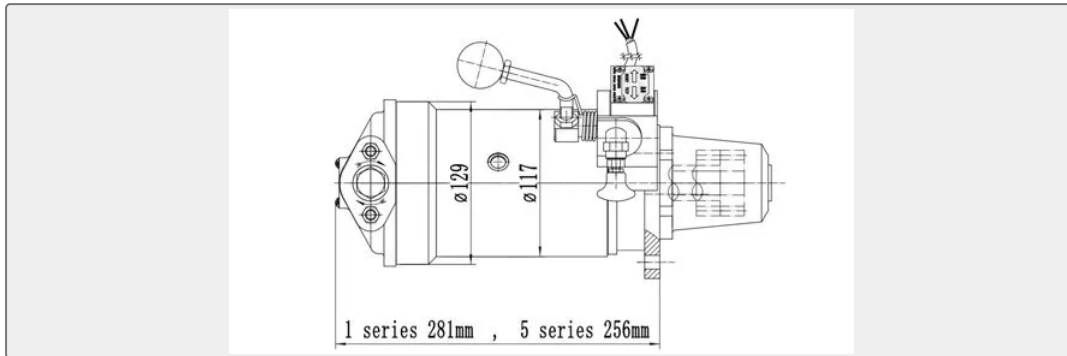
We can supply according to your requirement, drawings, class certificate needs, and delivery schedule.

### Technical Specifications

<b>Category</b>	Marine Generator	<b>Model / SKU</b>	SXC027-Mechanical-Spring-Starter-For-Emergency-Diesel-Engine
<b>Standard</b>	DIN	<b>Weight / Size</b>	Dalin Spring Starter Series 5 Series 1 Series MD HD Mounting Flange SAE# on standard 1,2,3 & 4 1,2 & 3 Diesel Engine Liter(L)/Cylinder& 1.0 & 4 1.4 & 6 Displacement Max cyl.number 0.8 & 6 1.4 & 6 Max pinpin torque Nm 126 126 Max winding torque Nm 100 100 Weight kg 16 18 turns to fully wind turns 2+6 2+8
<b>Certificate</b>	ABS, LR, BV, DNVGL, NK, KR, IRS, RMRS, CCS	<b>Warranty</b>	12 Months unless specified otherwise
<b>Origin</b>	China		

## Deascription:

SXC027 Mechanical Spring Starter For Emergency Diesel Engine, we have hand crank starter, Inertia starter, mechanical starter, mechanical spring starter ,manual starter, most application on engine displacement about the 1L—7.5L . Example : CAT C4.4 , Perkins 1104 , Cummins 4B/6B , Weichai WP4/6 , Deutz BF3L913 , Yuchai YC4F/4D.



Dalin Spring Starter Series		5 Series	1 Series
		MD	HD
Mounting Flange	SAE# on standard	1,2,3 & 4	1,2 & 3
Diesel Engine	Liter(L)/Cylinder&	1.0 & 4	1.4 & 6
Displacement	Max cyl.number	0.8 & 6	1.4 & 6
Max pinpion torque	Nm	126	126
Max winding torque	Nm	100	100
Weight	kg	16	18
turns to fully wind	turns	2+6	2+8