

Jinbo Marine

Marine & Offshore Equipment Datasheet

PRODUCT DATASHEET

CKY MARINE PUBLIC ADDRESS SYSTEM

SY-866 Wireless Microphone

ISO9001 Supplier

Class Certificate

Export Supply

SY-866 Wireless Microphone 1) Chapter 2 of Part 4 of the "Steel Ship Classification Rules" of the China Classification Society; 2) Chapter VII of International life-saving appliance code, annex, as amended by msc....



Key Highlights

Category	CKY Marine Public Address System
Standard	EN
Material	SY-866 Wireless Microphone 1) Chapter 2 of Part 4 of the "Steel Ship Cla...
Certificate	ABS, LR, BV, DNVGL, NK, KR, IRS, RMRS, CCS

We can supply according to your requirement, drawings, class certificate needs, and delivery schedule.

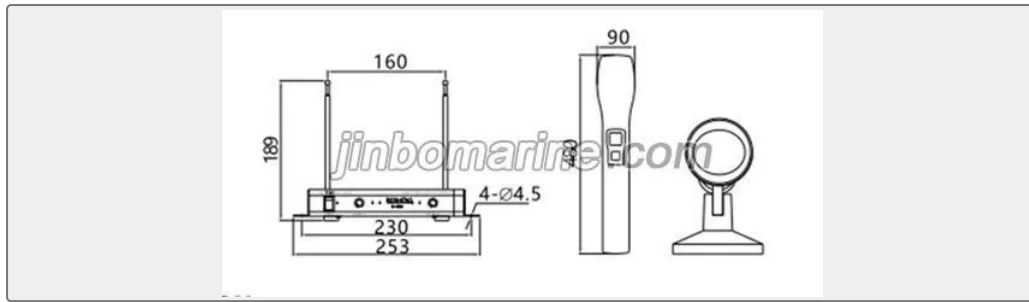
Technical Specifications

Category	CKY Marine Public Address System	Model / SKU	SY-866-Wireless-Microphone
Standard	EN	Material	SY-866 Wireless Microphone 1) Chapter 2 of Part 4 of the "Steel Ship Classification Rules" of the China Classification Society;
Certificate	ABS, LR, BV, DNVGL, NK, KR, IRS, RMRS, CCS	Warranty	12 Months unless specified otherwise
Origin	China		

China SY-866 Wireless Microphone:

SY-866 Wireless Microphone

- 1) Chapter 2 of Part 4 of the "Steel Ship Classification Rules" of the China Classification Society;
- 2) Chapter VII of International life-saving appliance code, annex, as amended by msc.218(82);
- 3) IMO resolution A. 1021 (26) code on "Alarm and indicators, 2009".



Colour: RAL9005

Shell material: ABS

IP rating: IP20