

FILTER

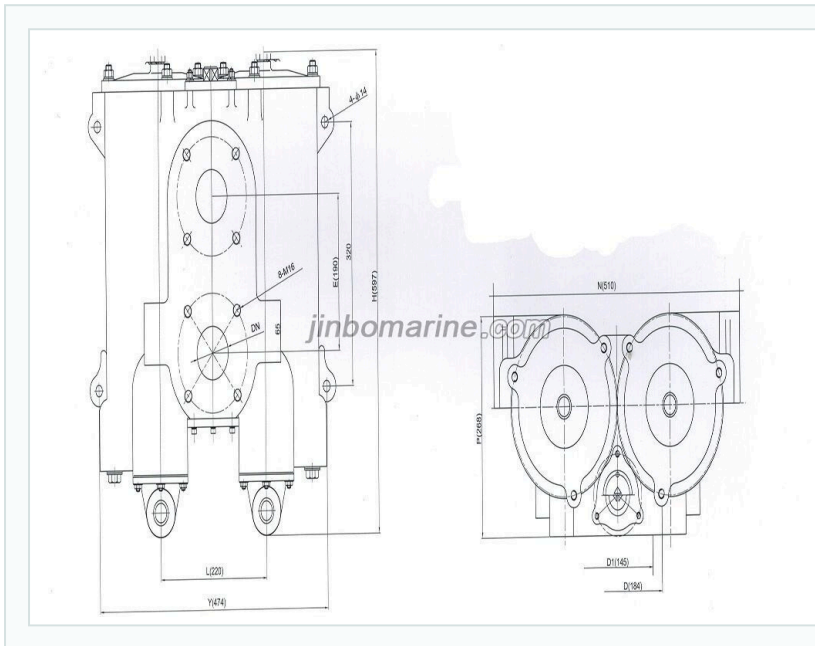
SZL65A I Model Double-Cylinder Paper Filter

ISO9001 Supplier

Class Certificate

Export Supply

SZL65A I Model Double-Cylinder Paper Filter The filter model representation is as follows:
 SZL → SBL represent the double berrelled 65 → 200 representations passes diameters 200mm
 Work pre...



Key Highlights

Category	Filter
Standard	ISO
Weight / Size	Model Current capacity(referencem ³ /h) Passes the diameter and the joint ...
Certificate	ABS, LR, BV, DNVGL, NK, KR, IRS, RMRS, CCS

We can supply according to your requirement, drawings, class certificate needs, and delivery schedule.

Technical Specifications			
Category	Filter	Model / SKU	SZL65A-I-Model-Double-Cylinder-Paper-Filter
Standard	ISO	Weight / Size	Model Current capacity(referencem ³ /h) Passes the diameter and the joint size(mm) External dimensions(mm) Installing size(mm) Weight(kg) DN K E R r 4-M1 H1 H2 L ϕ N P W V Y Z 4-M2 SZL20 0.5-1.5 20 60 50 22 12 10 320 60 95 85 193 184 100 53 75 35 10 8 SZL25 1.5-2 25 62 55 25 12 10 375 77 110 98 216 206 100 70 80 40 10 3 SZL25 2-4 32 75 70 35 15 12 420 90 130 125 264 226 120 80 90 40 12 19 SZL25 4-6 40 75 70 35 15 12 445 90 130 125 264 226 120 80 90 40 12 22 DN D D1 E N-M1 H1 L N P Y Z N-D SZL65A I 25-50 65 184 145 190 8-M16 597 220 510 268 474 320 4- ϕ 14 SZL65A II 40-80 65 184 145 190 8-M16 780 220 510 268 474 320 4- ϕ 14
Certificate	ABS, LR, BV, DNVGL, NK, KR, IRS, RMRS, CCS	Warranty	12 Months unless specified otherwise
Origin	China		

CONTENTS

- SZL65A I Model Double-Cylinder Paper Filter
- SZL65A I Model Double-Cylinder Paper Filter Diagram:
- SZL65A I Model Double-Cylinder Paper Filter Technical Parameters:

SZL65A I Model Double-Cylinder Paper Filter

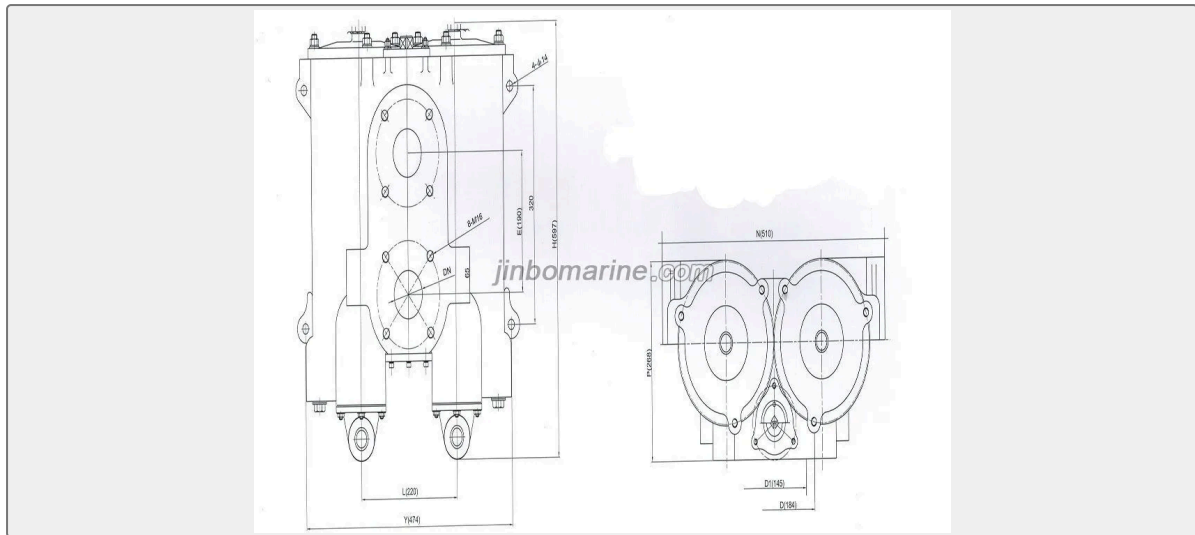
The filter model representation is as follows:

SZL → SBL represent the double berrelled

65 → 200 representations passes diameters 200mm

Work pressure	Flow	Safe filter cylinder precision	Normal using precision	Pressure difference of safe value opening	Pressure difference of by-pass valve opening
0.06Mpa	2x25m ³ /h	60um	10-15um	0.2±0.02Mpa	0.4±0.02Mpa

SZL65A I Model Double-Cylinder Paper Filter Diagram:



SZL65A I Model Double-Cylinder Paper Filter Technical Parameters:

Model	Current capacity(reference m³/h)		Passes the diameter and the joint size(mm)					External dimensions(mm)							Installing size(mm)				Weight(kg)	
			D N	K	E	R	r	4-M1	H1	H 2	L	φ	N	P	W	V	Y	Z		4-M2
SZL20	0.5-1.5		20	60	50	22	12	10	320	60	95	85	193	184	100	53	75	35	10	8
SZL25	1.5-2		25	62	55	25	12	10	375	77	110	98	216	206	100	70	80	40	10	3
SZL25	2-4		32	75	70	35	15	12	420	90	130	125	264	226	120	80	90	40	12	19
SZL25	4-6		40	75	70	35	15	12	445	90	130	125	264	226	120	80	90	40	12	22
DN	D	D1	E	N-M1		H1		L	N		P		Y	Z	N-D					
SZL65A I	25-50		65	184	145	190	8-M16		597	220	510		268		44	32	4-φ14			
SZL65A II	40-80		65	184	145	190	8-M16		780	220	510		268		44	32	4-φ14			