

**FILTER**

# SZL65A II Model Double-Cylinder Paper Filter

ISO9001 Supplier

Class Certificate

Export Supply

SZL65A II Model Double-Cylinder Paper Filter  The filter model representation is as follows: SZL → SBL represent the double berrelled 65 → 200 representations passes diameters 200mm Work ...

### Key Highlights

|                      |   |
|----------------------|---|
| <b>Category</b>      | Filter  |
| <b>Standard</b>      | ISO   |
| <b>Weight / Size</b> | SZL → SBL represent the double berrelled 65 → 200 representations passes dia... |
| <b>Certificate</b>   | ABS, LR, BV, DNVGL, NK, KR, IRS, RMRS, CCS                                      |

We can supply according to your requirement, drawings, class certificate needs, and delivery schedule.

| Technical Specifications |  |                      |  |
|--------------------------|--|----------------------|--|
| <b>Category</b>          | Filter                                     | <b>Model / SKU</b>   | SZL65A-II-Model-Double-Cylinder-Paper-Filter   |
| <b>Standard</b>          | ISO  | <b>Weight / Size</b> | SZL → SBL represent the double berrelled 65 → 200 representations passes diameters 200mm Work pressure Flow Safe filter cylinder precision Normal using precision Pressure difference of safe value opening Pressure difference of by-pass valve opening 0.06Mpa 2x25m³/h 60um 10-15um 0.2±0.02Mpa 0.4±0.02Mpa<br>SZL65A II Model Double-Cylinder Paper Filter Diagram SZL65A II Model Double-Cylinder Paper Technical Parameters Model Current capacity(referencem³/h) Passes the diameter and the joint size(mm) External dimensions(mm) Installing size(mm) Weight(kg) DN K E R r 4-M1 H1 H2 L φ N P W V Y Z 4-M2 SZL20 0.5-1.5 20 60 50 22 12 10 320 60 95 85 193 184 100 53 75 35 10 8 SZL25 1.5-2 25 62 55 25 12 10 375 77 110 98 216 206 100 70 80 40 10 3 SZL25 2-4 32 75 70 35 15 12 420 90 130 125 264 226 120 80 90 40 12 19 SZL25 4-6 40 75 70 35 15 12 445 90 130 125 264 226 120 80 90 40 12 22 DN D D1 E N-M1 H1 L N P Y Z N-D SZL65A I 25-50 65 184 145 190 8-M16 597 220 510 268 474 320 4-φ14 SZL65A II 40-80 65 184 145 190 8-M16 780 220 510 268 474 320 4-φ14 |
| <b>Certificate</b>       | ABS, LR, BV, DNVGL, NK, KR, IRS, RMRS, CCS | <b>Warranty</b>      | 12 Months unless specified otherwise   |
| <b>Origin</b>            | China                                      |                      |  |

|                 |  |  |
|-----------------|--|--|
| <b>CONTENTS</b> | ■ SZL65A II Model Double-Cylinder Paper Filter               | ■ SZL65A II Model Double-Cylinder Paper Filter Diagram |
|                 | ■ SZL65A II Model Double-Cylinder Paper Technical Parameters |  |



## SZL65A II Model Double-Cylinder Paper Filter

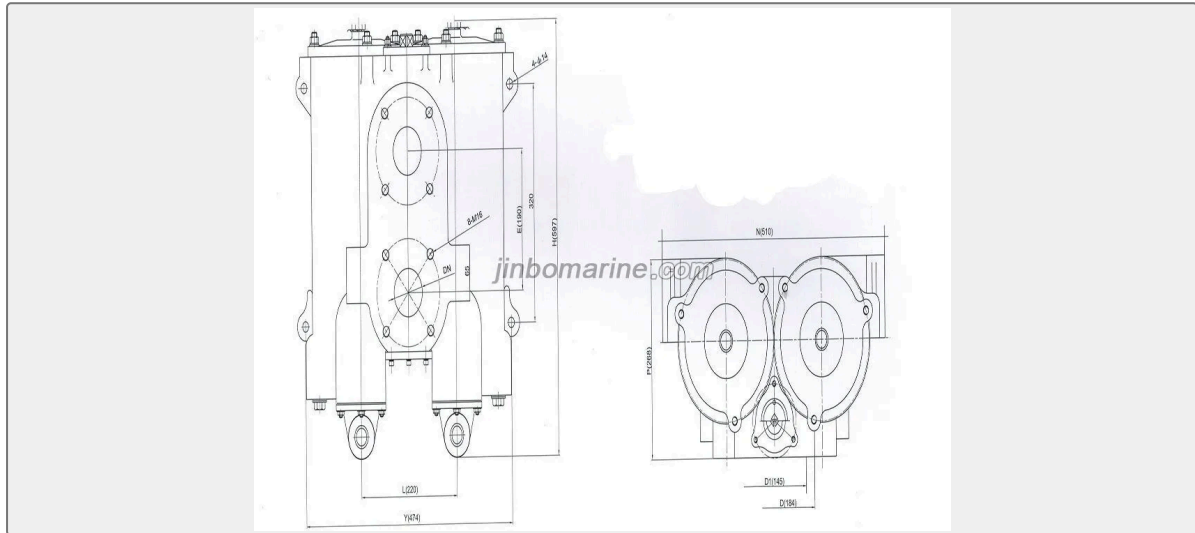
The filter model representation is as follows:

SZL → SBL represent the double berrelled

65 → 200 representations passes diameters 200mm

| Work pressure | Flow                  | Safe filter cylinder precision | Normal using precision | Pressure difference of safe value opening | Pressure difference of by-pass valve opening |
|---------------|-----------------------|--------------------------------|------------------------|---|--|
| 0.06Mpa       | 2x25m <sup>3</sup> /h | 60um                           | 10-15um                | 0.2±0.02Mpa                               | 0.4±0.02Mpa                                  |

## SZL65A II Model Double-Cylinder Paper Filter Diagram



## SZL65A II Model Double-Cylinder Paper Technical Parameters

| Model    | Current capacity( reference m <sup>3</sup> /h) |    | Passes the diameter and the joint size(mm) |      |     |     |       | External dimensions(mm) |     |     |     |     |     |     | Installing size(mm) |     |       |    | Weight(kg) |      |
|----------|--|----|--|------|-----|-----|-------|-------------------------|-----|-----|-----|-----|-----|-----|---------------------|-----|-------|----|------------|------|
|          |  |    | D  | K    | E   | R   | r     | 4-M1                    | H1  | H2  | L   | φ   | N   | P   | W                   | V   | Y     | Z  |            | 4-M2 |
| SZL20    | 0.5-1.5  |    | 20   | 60   | 50  | 22  | 12    | 10                      | 320 | 60  | 95  | 85  | 193 | 184 | 100                 | 53  | 75    | 35 | 10         | 8    |
| SZL25    | 1.5-2  |    | 25   | 62   | 55  | 25  | 12    | 10                      | 375 | 77  | 110 | 98  | 216 | 206 | 100                 | 70  | 80    | 40 | 10         | 3    |
| SZL25    | 2-4  |    | 32   | 75   | 70  | 35  | 15    | 12                      | 420 | 90  | 130 | 125 | 264 | 226 | 120                 | 80  | 90    | 40 | 12         | 19   |
| SZL25    | 4-6  |    | 40   | 75   | 70  | 35  | 15    | 12                      | 445 | 90  | 130 | 125 | 264 | 226 | 120                 | 80  | 90    | 40 | 12         | 22   |
| DN       | D  | D1 | E  | N-M1 |     | H1  |       | L                       | N   |     | P   |     | Y   | Z   | N-D                 |     |       |    |            |      |
| SZL65A I | 25-50  |    | 65   | 184  | 145 | 190 | 8-M16 |                         | 597 | 220 | 510 |     | 268 |     | 474                 | 320 | 4-φ14 |    |            |      |

|           |       |    |         |         |         |       |     |         |     |     |             |             |              |
|-----------|-------|----|---------|---------|---------|-------|-----|---------|-----|-----|-------------|-------------|--------------|
| SZL65A II | 40-80 | 65 | 18<br>4 | 14<br>5 | 19<br>0 | 8-M16 | 780 | 22<br>0 | 510 | 268 | 4<br>7<br>4 | 3<br>2<br>0 | 4- $\phi$ 14 |
|-----------|-------|----|---------|---------|---------|-------|-----|---------|-----|-----|-------------|-------------|--------------|

