

Jinbo Marine

Marine & Offshore Equipment Datasheet

PRODUCT DATASHEET

SHACKLE

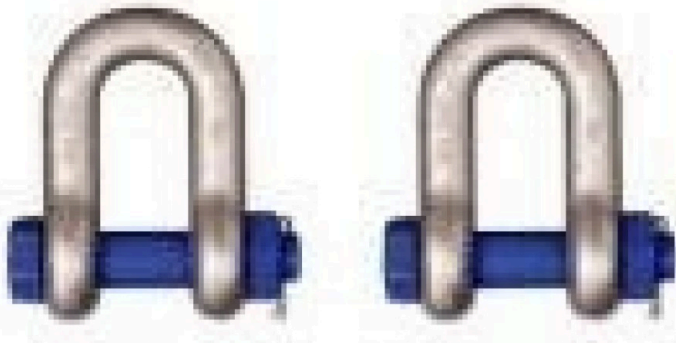
Safety Bow Shackle G2150

Surface treatment: hot-dipped and electric galvanized Heat treated: drop forged, tempered and quenched Minimum ultimate strength / Safety factor: 6 times working load limit (WLL)
Standard: E...

ISO9001 Supplier

Class Certificate

Export Supply



Key Highlights

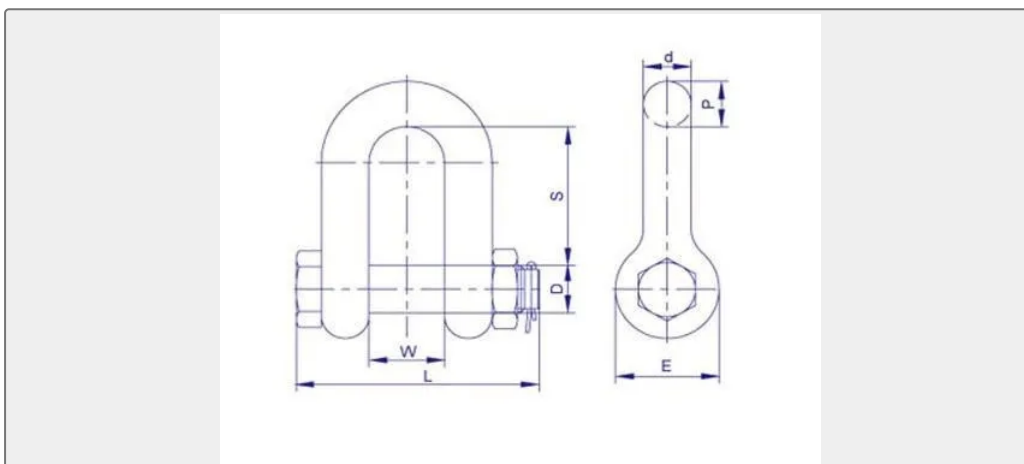
Category	Shackle
Standard	EN
Weight / Size	RR-C-271 Sizes:
Certificate	Mill Certificate

We can supply according to your requirement, drawings, class certificate needs, and delivery schedule.

Technical Specifications

Category	Shackle	Model / SKU	Safety-Bow-Shackle-G2150
Standard	EN	Weight / Size	RR-C-271 Sizes:
Surface	galvanized	Certificate	Mill Certificate
Warranty	12 Months unless specified otherwise	Origin	China

China Safety Bow Shackle G2150:



Surface treatment: hot-dipped and electric galvanized

Heat treated: drop forged, tempered and quenched

Minimum ultimate strength / Safety factor: 6 times working load limit (WLL)

Standard: EN13889 and US Fed. Spec. RR-C-271

Sizes: 1/4 to 3 inches, can be customized