

Jinbo Marine

Marine & Offshore Equipment Datasheet

PRODUCT DATASHEET

STEEL CARGO BLOCK

Samson Wire Rope Blocks 1

Drawing : Picture : Specification : stock no. will(t) wire up to (mm) no.of sheave dimensions(mm) w...

ISO9001 Supplier

Class Certificate

Export Supply



Key Highlights

| | |
|---------------|---|
| Category | Steel Cargo Block |
| Standard | EN |
| Weight / Size | will(t) wire up to (mm) no.of sheave dimensions(mm) weight(kg) D1 D2 F Φ... |
| Certificate | ABS, LR, BV, DNVGL, NK, KR, IRS, RMRS, CCS |

We can supply according to your requirement, drawings, class certificate needs, and delivery schedule.



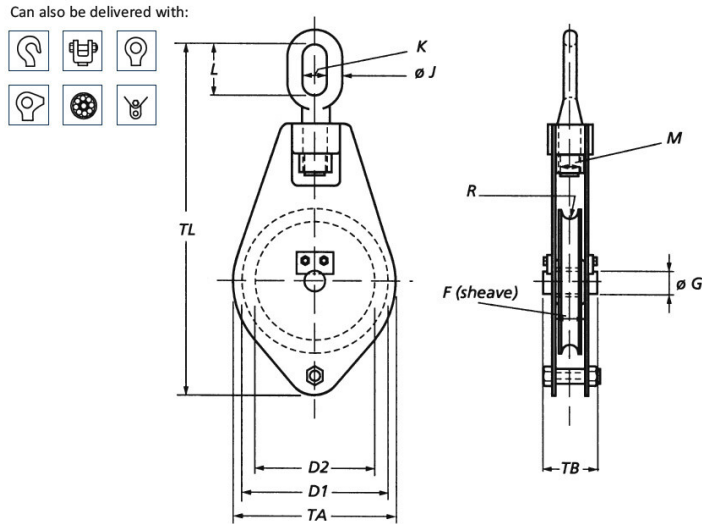
| Technical Specifications | | | |
|--------------------------|--|----------------------|--|
| Category | Steel Cargo Block | Model / SKU | Samson-Wire-Rope-Blocks-1 |
| Standard | EN | Weight / Size | will(t) wire up to (mm) no.of sheave dimensions(mm) weight(kg) D1 D2 F ΦG ΦJ K L M R TA TB TL 11.100.00.10 0.75 8 1 100 80 20 15 12 21 48 16 4.5 110 45 275 2 11.125.01.10 1 10 1 125 105 27 22 16 26 58 18 5.5 135 52 336 3 11.150.02.10 2 12 1 150 120 40 30 16 26 58 24 6.5 170 74 407 6 11.200.03.10 3 14 1 200 165 40 30 21 32 72 30 7.5 220 74 500 10 11.250.04.10 4 18 1 250 210 45 35 26 40 94 33 9.5 270 81 608 18 11.300.06.10 6 20 1 300 255 50 40 29 45 108 42 11 320 88 706 27 11.350.08.10 8 22 1 350 305 50 45 32 49 114 45 12 380 92 778 44 11.350.10.10 10 22 1 350 305 60 50 36 54 125 52 12 380 110 795 50 11.400.10.10 10 24 1 400 345 60 50 36 54 125 52 13 430 110 848 60 11.350.12.10 12 22 1 350 305 60 50 41 60 144 56 12 380 114 821 59 11.400.12.10 12 24 1 400 345 60 60 41 60 144 56 13 430 118 926 75 11.350.16.10 16 22 1 350 305 60 50 46 66 163 64 12 380 114 879 69 11.400.16.10 16 24 1 400 345 60 60 46 66 163 64 13 430 118 959 81 11.400.20.10 20 24 1 400 345 60 60 51 72 173 72 13 430 118 990 97 11.450.20.10 20 28 1 450 390 70 70 51 72 173 72 15 480 128 1046 109 11.450.25.10 25 28 1 450 390 70 70 60 80 195 76 15 480 128 1105 130 11.450.30.10 30 36 1 450 390 70 70 60 90 220 80 19.5 4480 134 1145 150 Product Advantage: |
| Certificate | ABS, LR, BV, DNVGL, NK, KR, IRS, RMRS, CCS | Warranty | 12 Months unless specified otherwise |
| Origin | China | | |



CONTENTS

- Drawing :
 - Specification :
 - Packing and Delivery :
- Picture :
 - Product Advantage:
 - How to Order?

Drawing :



dqmarine.com

Picture :



Specification :

| stock no. | will(t) | wire up to (mm) | no.of sheave | dimensions(mm) | | | | | | | | | | | | weight(kg) |
|--------------|---------|-----------------|--------------|----------------|-----|----|-----|-----|----|----|----|----|-----|-----|-----|------------|
| | | | | D 1 | D 2 | F | Φ G | Φ J | K | L | M | R | T A | T B | T L | |
| 11.100.00.10 | 0.75 | 8 | 1 | 100 | 80 | 20 | 15 | 12 | 21 | 48 | 16 | 45 | 110 | 45 | 275 | 2 |



| | | | | | | | | | | | | | | | | |
|--------------|----|----|---|---------|---------|--------|----|----|--------|-------------|----|----------|----------|-------------|----------|-----|
| 11.125.01.10 | 1 | 10 | 1 | 12 5 | 10 5 | 2 7 | 22 | 16 | 2 6 | 5 8 | 18 | 5. 5 | 13 5 | 5 2 | 33 6 | 3 |
| 11.150.02.10 | 2 | 12 | 1 | 15 0 | 12 0 | 4 0 | 30 | 16 | 2 6 | 5 8 | 24 | 6. 5 | 17 0 | 7 4 | 40 7 | 6 |
| 11.200.03.10 | 3 | 14 | 1 | 20 0 | 16 5 | 4 0 | 30 | 21 | 3 2 | 7 2 | 30 | 7. 5 | 22 0 | 7 4 | 50 0 | 10 |
| 11.250.04.10 | 4 | 18 | 1 | 25 0 | 21 0 | 4 5 | 35 | 26 | 4 0 | 9 4 | 33 | 9. 5 | 27 0 | 8 1 | 60 8 | 18 |
| 11.300.06.10 | 6 | 20 | 1 | 30 0 | 25 5 | 5 0 | 40 | 29 | 4 5 | 1 0 8 | 42 | 11 | 32 0 | 8 8 | 70 6 | 27 |
| 11.350.08.10 | 8 | 22 | 1 | 35 0 | 30 5 | 5 0 | 45 | 32 | 4 9 | 1 1 4 | 45 | 12 | 38 0 | 9 2 | 77 8 | 44 |
| 11.350.10.10 | 10 | 22 | 1 | 35 0 | 30 5 | 6 0 | 50 | 36 | 5 4 | 1 2 5 | 52 | 12 | 38 0 | 11 0 | 79 5 | 50 |
| 11.400.10.10 | 10 | 24 | 1 | 40 0 | 34 5 | 6 0 | 50 | 36 | 5 4 | 1 2 5 | 52 | 13 | 43 0 | 11 0 | 84 8 | 60 |
| 11.350.12.10 | 12 | 22 | 1 | 35 0 | 30 5 | 6 0 | 50 | 41 | 6 0 | 1 4 4 | 56 | 12 | 38 0 | 11 4 | 82 1 | 59 |
| 11.400.12.10 | 12 | 24 | 1 | 40 0 | 34 5 | 6 0 | 60 | 41 | 6 0 | 1 4 4 | 56 | 13 | 43 0 | 11 8 | 92 6 | 75 |
| 11.350.16.10 | 16 | 22 | 1 | 35 0 | 30 5 | 6 0 | 50 | 46 | 6 6 | 1 6 3 | 64 | 12 | 38 0 | 11 4 | 87 9 | 69 |
| 11.400.16.10 | 16 | 24 | 1 | 40 0 | 34 5 | 6 0 | 60 | 46 | 6 6 | 1 6 3 | 64 | 13 | 43 0 | 11 8 | 95 9 | 81 |
| 11.400.20.10 | 20 | 24 | 1 | 40 0 | 34 5 | 6 0 | 60 | 51 | 7 2 | 1 7 3 | 72 | 13 | 43 0 | 11 8 | 99 0 | 97 |
| 11.450.20.10 | 20 | 28 | 1 | 45 0 | 39 0 | 7 0 | 70 | 51 | 7 2 | 1 7 3 | 72 | 15 | 48 0 | 1 2 8 | 10 46 | 109 |
| 11.450.25.10 | 25 | 28 | 1 | 45 0 | 39 0 | 7 0 | 70 | 60 | 8 0 | 1 9 5 | 76 | 15 | 48 0 | 1 2 8 | 11 05 | 130 |
| 11.450.30.10 | 30 | 36 | 1 | 45 0 | 39 0 | 7 0 | 70 | 60 | 9 0 | 2 2 0 | 80 | 19 .5 | 44 80 | 1 3 4 | 11 45 | 150 |

Product Advantage:

- 1.Satisfactory Quality
- 2.Competitive Price
- 3.Prompt Delivery
- 4.7x24 hours service

Packing and Delivery :

1. Standard Export Packing or Seaworthy Packing, if you have special requirement, please specify when inquiry.
2. Fast Delivery, delivery time can negotiate when order.

How to Order?

1. Please inform us the model, type or size you need.
2. Please inform us the quantity to make the best price for you.
3. Shipment Model: Air or Sea shipment.
4. Special requirement if any.