

# Jinbo Marine

Marine &amp; Offshore Equipment Datasheet

PRODUCT DATASHEET

## CB MARINE SOUNDING DEVICE

# Self Closing Gate Valve for Short Sounding Pipe with Alarm CBM1065-81

ISO9001 Supplier

Class Certificate

Export Supply

Self Closing Gate Valve for Short Sounding Pipe with Alarm CBM1065-81 Design Standard: CBM1061-85, &nbsp; JIS F3019-1996 Test Standard: JIS 7400-1996 Hydraulic Test Pressure: Body...



### Key Highlights

Category	CB Marine Sounding Device
Standard	JIS
Material	Bronze/Brass
Weight / Size	Cast Iron Main Size List(mm):
Certificate	CCS, BV, ABS, NK, DNV/GL, LR

We can supply according to your requirement, drawings, class certificate needs, and delivery schedule.

### Technical Specifications

Category	CB Marine Sounding Device	Model / SKU	Self-Closing-Gate-Valve-for-Short-Sounding-Pipe-with-Alarm-CBM1065-81
Standard	JIS	Material	Bronze/Brass
Weight / Size	Cast Iron Main Size List(mm):	Certificate	CCS, BV, ABS, NK, DNV/GL, LR
Warranty	12 Months unless specified otherwise	Origin	China

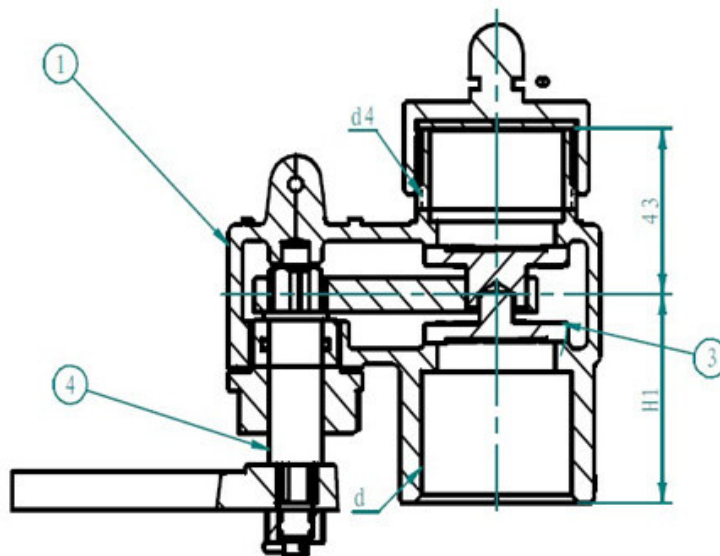
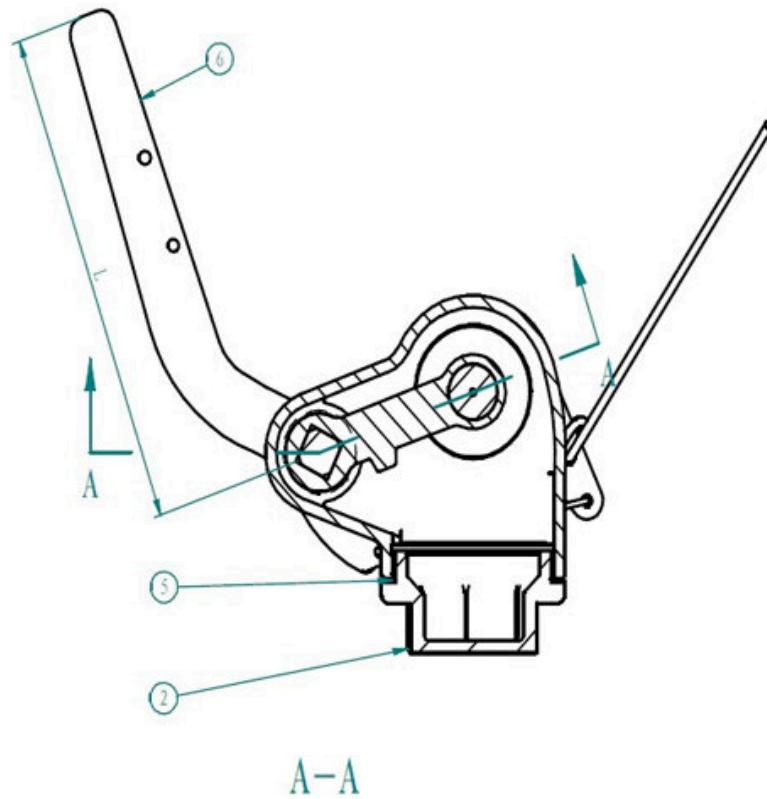
#### CONTENTS

- China Self Closing Gate Valve for Short Sounding Pipe with Alarm CBM1065-81:
- Main Material:

## China Self Closing Gate Valve for Short Sounding Pipe with Alarm CBM1065-81:

Self Closing Gate Valve for Short Sounding Pipe with Alarm CBM1065-81





Design Standard: CBM1061-85, JIS F3019-1996

Test Standard: JIS 7400-1996

Hydraulic Test Pressure: Body-0.3Mpa, Seat-0.2Mpa

### Main Material:

1-Body: Bronze/Brass

2-Bonnet: Bronze/Brass

3-Disc: Bronze/Brass

4-Stem: Brass (C3771BD)

5-Gasket: NBR



6-Lever: Cast Iron

Main Size List(mm):

Size	d	d4	H1	L
40	G1-1/2	G1-1/2	54	160
50	G2	G2	60	160