

Jinbo Marine

Marine & Offshore Equipment Datasheet

PRODUCT DATASHEET

CHAIN STOPPER

Ship Devil's Claw Chain Stopper Assemblies

ISO9001 Supplier

Class Certificate

Export Supply

Devil's Claws Chain Stopper Structure Devil's Claws consists of Fork Hook, Shackle, End Link, Common Link, Open Type Turnbuckle and shackle and eye plate 1. Fork Hook 2. Shackle ...



Key Highlights

Category	Chain Stopper
Standard	EN
Material	Steel
Weight / Size	Eye plate Devil's Claws Size(mm) Anchor Chain Diameter SWL(KN) Fork Hook...
Certificate	ABS, LR, BV, DNVGL, NK, KR, IRS, RMRS, CCS

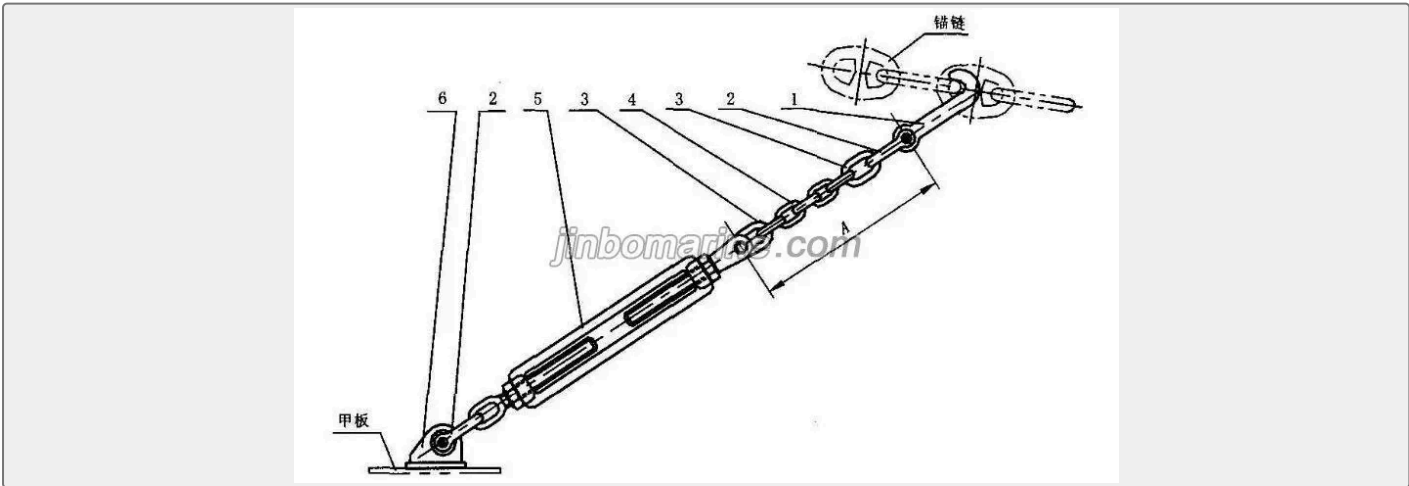
We can supply according to your requirement, drawings, class certificate needs, and delivery schedule.

Technical Specifications			
Category	Chain Stopper	Model / SKU	Ship-Devil-s-Claw-Chain-Stopper-Assemblies
Standard	EN	Material	Steel
Weight / Size	Eye plate Devil's Claws Size(mm) Anchor Chain Diameter SWL(KN) Fork Hook Chain Link Turnbuckle Eype Plate Weight(kgs) 14-16 5.5 1 12.5 KOUD12 F1.0 2.00 17.5- 20.5 9.3 2 12.5 KOUD14 F1.6 3.10 22-24 12.5 3 12.5 KOUD16 F2.0 4.80 26-28 17 4 14 KOUD18 F2.5 6.10 30-32 22 5 14 KOUD20 F3.0 7.80 34-36 28 6 16 KOUD22 F4.0 10.80 38-40 35 7 17.5 KOUD24 F5.0 14.60 32-44 42 8 20.5 KOUD27 F6.0 22.50 46-48 49 9 22 KOUH30 F6.0 22.50 50-52 58 10 24 KOUH36 F8.0 34.60 54-56 67 11 24 KOUH36 F10.0 52.30 58- 60 77 12 26 KOUH36 F10.0 52.30 62-64 88 13 28 KOUH39 F12.0 78.00 66-68 100 14 32 KOUH42 F12.0 78.00	Certificate	ABS, LR, BV, DNVGL, NK, KR, IRS, RMRS, CCS
Warranty	12 Months unless specified otherwise	Origin	China

CONTENTS	■ Devil's Claws Chain Stopper Structure	■ Devil's Claws Size(mm)
-----------------	---	--------------------------

Devil's Claws Chain Stopper Structure

Devil's Claws consists of Fork Hook, Shackle, End Link, Common Link, Open Type Turnbuckle and shackle and eye plate



1. Fork Hook
2. Shackle
3. End Link
4. Common Link
5. Open Type Turnbuckle and shackle
6. Eye plate

Devil's Claws Size(mm)

Anchor Chain Diameter	SWL(KN)	Fork Hook	Chain Link	Turnbuckle	Eype Plate	Weight(kgs)
14-16	5.5	1	12.5	KOUD12	F1.0	2.00
17.5-20.5	9.3	2	12.5	KOUD14	F1.6	3.10
22-24	12.5	3	12.5	KOUD16	F2.0	4.80
26-28	17	4	14	KOUD18	F2.5	6.10
30-32	22	5	14	KOUD20	F3.0	7.80
34-36	28	6	16	KOUD22	F4.0	10.80
38-40	35	7	17.5	KOUD24	F5.0	14.60
32-44	42	8	20.5	KOUD27	F6.0	22.50
46-48	49	9	22	KOUH30	F6.0	22.50
50-52	58	10	24	KOUH36	F8.0	34.60
54-56	67	11	24	KOUH36	F10.0	52.30
58-60	77	12	26	KOUH36	F10.0	52.30
62-64	88	13	28	KOUH39	F12.0	78.00
66-68	100	14	32	KOUH42	F12.0	78.00

