

Jinbo Marine

Marine & Offshore Equipment Datasheet

PRODUCT DATASHEET

EYE BOLTS & NUTS

Shoulder Nut Eye Bolts G277

Size Table Shank Dia & Length (in) WLL (lbs) Weight per 100 (lbs) Dimensions (in) A ...

ISO9001 Supplier

Class Certificate

Export Supply



Key Highlights

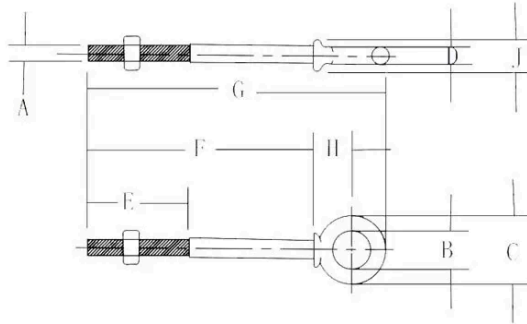
Category	Eye Bolts & Nuts
Standard	EN
Material	Q235,45#
Weight / Size	Size Table Shank Dia & Length (in) WLL (lbs) Weight per 100 (lbs) Dimens...
Certificate	ABS, LR, BV, DNVGL, NK, KR, IRS, RMRS, CCS

We can supply according to your requirement, drawings, class certificate needs, and delivery schedule.

Technical Specifications			
Category	Eye Bolts & Nuts	Model / SKU	Shoulder-Nut-Eye-Bolts-G277
Standard	EN	Material	Q235,45#
Weight / Size	Size Table Shank Dia & Length (in) WLL (lbs) Weight per 100 (lbs) Dimensions (in) A B C D E F G H J 1/4 x 2 500 6.6 0.25 0.5 0.88 0.19 1.5 2 2.94 0.5 0.47 1/4 x 4 500 9.1 0.25 0.5 0.88 0.19 2.5 4 4.94 0.5 0.47 5/16 x 2 1/4 800 12.5 0.31 0.62 1.12 0.25 1.5 2.25 3.5 0.69 0.56 5/16 x 4 1/4 800 18.8 0.31 0.62 1.12 0.25 2.5 4.25 5.5 0.69 0.56 3/8 x 2 1/2 1200 21.4 0.38 0.75 1.38 0.31 1.5 2.5 3.97 0.78 0.66 3/8 x 4 1/2 1200 25.3 0.38 0.75 1.38 0.31 2.5 4.5 5.97 0.78 0.66 1/2 x 3 1/4 2200 42.6 0.5 1 1.75 0.38 1.5 3.25 5.12 1 0.91 1/2 x 6 2200 56.8 0.5 1 1.75 0.38 3 6 7.88 1 0.91 5/8 x 4 3500 68.6 0.62 1.25 2.25 0.5 2 4 6.44 1.31 1.12 5/8 x 6 3500 102.4 0.62 1.25 2.25 0.5 3 6 8.44 1.31 1.12 3/4 x 4 1/2 5200 144.5 0.75 1.5 2.75 0.62 2 4.5 7.44 1.56 1.38 3/4 x 6 5200 167.5 0.75 1.5 2.75 0.62 3 6 8.94 1.56 1.38 7/8 x 5 7200 225 0.88 1.75 3.25 0.75 2.5 5 8.46 1.84 1.56 1 x 6 10000 366.3 1 2 3.75 0.88 3 6 9.97 2.09 1.81 1 x 9 10000 422.5 1 2 3.75 0.88 4 9 12.97 2.09 1.81 1 1/4 x 8 15200 650 1.25 2.5 4.5 1 4 8 12.72 2.47 2.28 1 1/4 x 12 15200 795 1.25 2.5 4.5 1 4 12 16.72 2.47 2.28 1 1/2 x 15 21400 1425 1.5 3 5.5 1.25 6 15 20.75 3 2.75	Certificate	ABS, LR, BV, DNVGL, NK, KR, IRS, RMRS, CCS
Warranty	12 Months unless specified otherwise	Origin	China



Size Table



Shank Dia & Length (in)	WLL (lbs)	Weight per 100 (lbs)	Dimensions (in)								
			A	B	C	D	E	F	G	H	J
1/4 x 2	500	6.6	0.25	0.5	0.88	0.19	1.5	2	2.94	0.5	0.47
1/4 x 4	500	9.1	0.25	0.5	0.88	0.19	2.5	4	4.94	0.5	0.47
5/16 x 2 1/4	800	12.5	0.31	0.62	1.12	0.25	1.5	2.25	3.5	0.69	0.56
5/16 x 4 1/4	800	18.8	0.31	0.62	1.12	0.25	2.5	4.25	5.5	0.69	0.56
3/8 x 2 1/2	1200	21.4	0.38	0.75	1.38	0.31	1.5	2.5	3.97	0.78	0.66
3/8 x 4 1/2	1200	25.3	0.38	0.75	1.38	0.31	2.5	4.5	5.97	0.78	0.66
1/2 x 3 1/4	2200	42.6	0.5	1	1.75	0.38	1.5	3.25	5.12	1	0.91
1/2 x 6	2200	56.8	0.5	1	1.75	0.38	3	6	7.88	1	0.91
5/8 x 4	3500	68.6	0.62	1.25	2.25	0.5	2	4	6.44	1.31	1.12
5/8 x 6	3500	102.4	0.62	1.25	2.25	0.5	3	6	8.44	1.31	1.12
3/4 x 4 1/2	5200	144.5	0.75	1.5	2.75	0.62	2	4.5	7.44	1.56	1.38
3/4 x 6	5200	167.5	0.75	1.5	2.75	0.62	3	6	8.94	1.56	1.38
7/8 x 5	7200	225	0.88	1.75	3.25	0.75	2.5	5	8.46	1.84	1.56
1 x 6	10000	366.3	1	2	3.75	0.88	3	6	9.97	2.09	1.81
1 x 9	10000	422.5	1	2	3.75	0.88	4	9	12.97	2.09	1.81
1 1/4 x 8	15200	650	1.25	2.5	4.5	1	4	8	12.72	2.47	2.28
1 1/4 x 12	15200	795	1.25	2.5	4.5	1	4	12	16.72	2.47	2.28
1 1/2 x 15	21400	1425	1.5	3	5.5	1.25	6	15	20.75	3	2.75