

Jinbo Marine

Marine & Offshore Equipment Datasheet

PRODUCT DATASHEET

OTHER MARINE VALVES & ACCESSORIES

Simplex Oil Tank Breather Valve CB/T692-94

ISO9001 Supplier

Class Certificate

Export Supply

Oil-Tank Breather Valve CB/T692-94 has simplex type and duplex type. Simplex oil tank breather valve is spring type, duplex oil tank breather valve is gravity type. When the pressure in the tank exceeds atmospheric ...



Key Highlights

Category	Other Marine Valves & Accessories
Standard	GB
Material	Cast Steel or Cast Iron
Weight / Size	Body/Bonnet---Cast Steel or Cast Iron Guide Rod---Stainless Steel Stem---...
Certificate	ABS, LR, BV, DNVGL, NK, KR, IRS, RMRS, CCS

We can supply according to your requirement, drawings, class certificate needs, and delivery schedule.

Technical Specifications

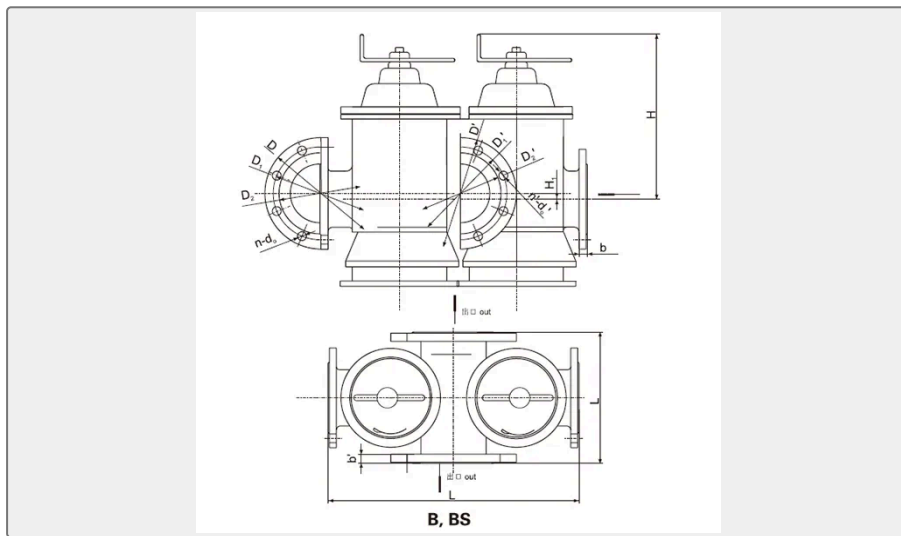
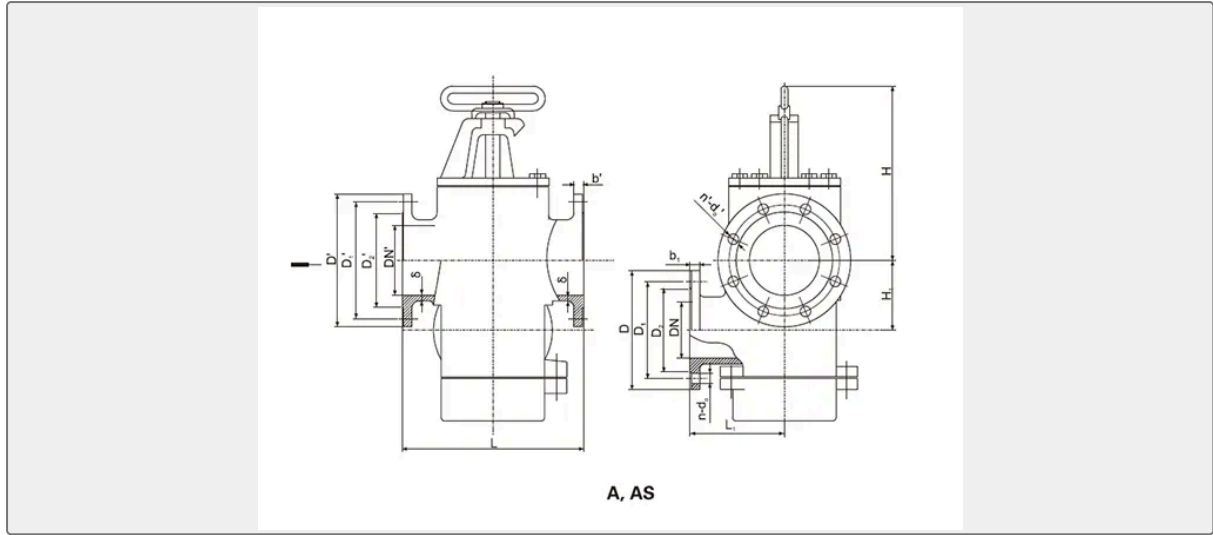
Category	Other Marine Valves & Accessories	Model / SKU	Simplex-Oil-Tank-Breather-Valve-CB-T692-94
Standard	GB	Material	Cast Steel or Cast Iron
Weight / Size	Body/Bonnet---Cast Steel or Cast Iron Guide Rod---Stainless Steel Stem---Bronze Main Size(mm):	Certificate	ABS, LR, BV, DNVGL, NK, KR, IRS, RMRS, CCS
Warranty	12 Months unless specified otherwise	Origin	China

CONTENTS

- China Simplex Oil Tank Breather Valve CB/T692-94:
- Main Parts & Material:
- Technical Specification:
- Main Size(mm):



China Simplex Oil Tank Breather Valve CB/T692-94:



Oil-Tank Breather Valve CB/T692-94 has simplex type and duplex type. Simplex oil tank breather valve is spring type, duplex oil tank breather valve is gravity type. When the pressure in the tank exceeds atmospheric pressure, the breather valve will open and discharge the pressure until the tank pressure and atmospheric pressure keep the balance. When the tank pressure is below the atmospheric pressure value (i.e. low negative pressure), the valve will inhale until the tank the pressure and atmospheric pressure balance.

Now PV valve is replacing the oil-tank valve.

Technical Specification:

Type			Flange Standard	Nominal Pressure		Nominal Diameter
				Pressure Valve	Vacuum Valve	
Simplex	A	Spring Type	GB569	≤0.021Mpa	<-0.007Mpa	80/100 & 100/150
	AS					
Duplex	B	Gravity Type	GB2501			
	BS					



Main Parts & Material:

Body/Bonnet---Cast Steel or Cast Iron

Guide Rod---Stainless Steel

Stem---Bronze

Main Size(mm):

Nominal diameter	Structure Dimension									
	H		H1		L		L1		Thickness δ	
	A	B	A	B	A	B	A	B	cast iron	cast steel
80/100	248	330	100	10	260	380	135	220	8	6
100/150	290	500	136	25	300	500	140	304	9	7

Type A and B:

nominal diameter	flange dimension														weight(kg)			
	oil-Tank connection flange						bolt		outlet flange				bolt		cast iron		cast steel	
	D	D1	D2	b	d0	n	Th.	D1	D11	D21	b1	d01	n	Th.	A	B	A	B
80/100	170	138	118	14	15	8	M14	190	158	138	14	15	8	M14	25.7	53.54	23.2	50.16
100/150	190	158	138	14	15	8	M14	240	208	190	14	15	12	M14	38.32	38.32	35.54	81.96

Type AS, BS:

nominal diameter	flange dimension														weight(kg)			
	oil-Tank connection flange						bolt		outlet flange				bolt		cast iron		cast steel	
	D	D1	D2	b	d0	n	Th.	D1	D11	D21	b1	d01	n	Th.	AS	BS	AS	BS
80/100	190	158	128	18	18	4	M16	210	170	148	18	18	4	M16	29.97	58.28	28.86	57.40
100/150	210	170	148	18	18	4	M16	265	225	202	20	18	8	M16	44.86	93.92	43.05	91.46