

Jinbo Marine

Marine & Offshore Equipment Datasheet

PRODUCT DATASHEET

A SERIES SHORT PITCH PRECISION ROLLER CHAIN

Simplex Roller Chain

Main Specification: Material: Steel Standards: DIN/ISO, ANSI Color: Dark Blue, Bright. Table 1
DIN/ISO Chain No. ANSI Chain No. ...

ISO9001 Supplier

Class Certificate

Export Supply



Key Highlights

Category	A Series Short Pitch Precision Roller Chain
Standard	ISO
Material	40Mn2
Weight / Size	Pitch Roller Width Pin Diameter Pin Length Inner plate depth Plate Thick...
Certificate	ABS, LR, BV, DNVGL, NK, KR, IRS, RMRS, CCS

We can supply according to your requirement, drawings, class certificate needs, and delivery schedule.

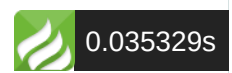


Technical Specifications

Category	A Series Short Pitch Precision Roller Chain	Model / SKU	Simplex-Roller-Chain
Standard	ISO	Material	40Mn2

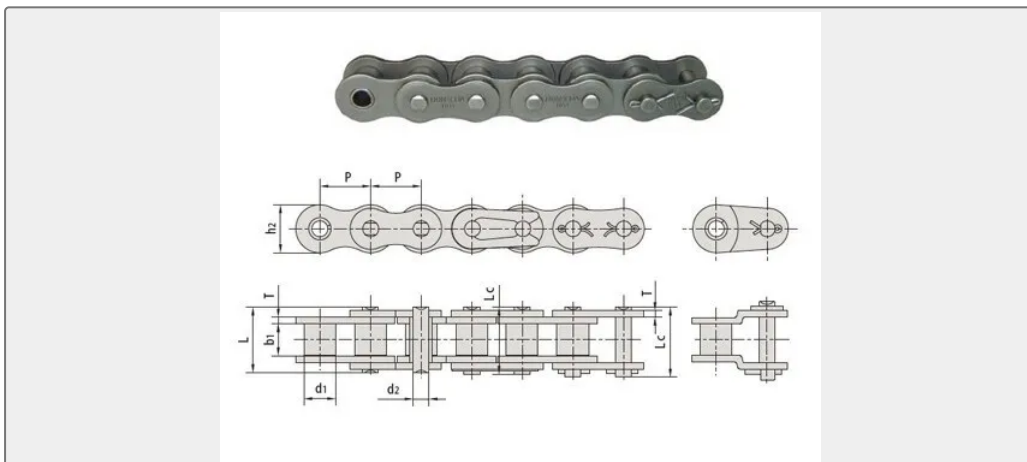


Weight / Size	Pitch Roller Width Pin Diameter Pin Length Inner plate depth Plate Thickness Ultimate tensile strength Average tensile strength weight Per Meter P d1 b1 d2 L Lc h2 T Q Q0 q max min max max max max max min mm mm mm mm mm mm mm mm kN/LB kN kg/m *03C *15 4.7625 2.48 2.38 1.62 6.10 6.90 4.30 0.60 1.80/409 2.00 0.08 *04C-1 *25 6.3500 3.30 3.18 2.31 7.90 8.40 6.00 0.80 3.50/795 4.60 0.15 *06C-1 *35 9.5250 5.08 4.77 3.58 12.40 13.17 9.00 1.30 7.90/1795 10.80 0.33 085-1 41 12.7000 7.77 6.25 3.58 13.75 15.00 9.91 1.30 6.67/1516 12.60 0.41 08A-1 40 12.7000 7.95 7.85 3.96 16.60 17.80 12.00 1.50 14.10/3205 17.50 0.62 10A-1 50 15.8750 10.16 9.40 5.08 20.70 22.20 15.09 2.03 22.20/5045 29.40 1.02 12A-1 60 19.0500 11.91 12.57 5.94 25.90 27.70 18.00 2.42 31.80/7227 41.50 1.50 16A-1 80 25.4000 15.88 15.75 7.92 32.70 35.00 24.00 3.25 59.70/12886 69.40 2.60 20A-1 100 31.7500 19.05 18.90 9.53 40.40 44.70 30.00 4.00 88.50/20114 109.20 3.91 24A-1 120 38.1000 22.23 25.22 11.10 50.30 54.30 35.70 4.80 127.00/28864 156.30 5.62 28A-1 140 44.4500 25.40 25.22 12.70 54.40 59.00 41.00 5.60 172.40/39182 212.00 7.50 32A-1 160 50.8000 28.58 31.55 14.27 64.80 69.60 47.80 6.40 226.80/51545 278.90 1.10 36A-1 180 57.1500 35.71 35.48 17.46 72.80 78.60 53.60 7.20 280.20/63682 341.80 13.45 40A-1 200 63.5000 39.68 37.85 19.85 80.30 87.20 60.00 8.00 353.80/80409 431.60 16.15 48A-1 240 76.2000 47.63 47.35 23.81 90.50 103.00 72.39 9.50 51.30/115977 622.50 23.20 Packing:	Certificate	ABS, LR, BV, DNVGL, NK, KR, IRS, RMRS, CCS



Warranty	12 Months unless specified otherwise	Origin	China
-----------------	--------------------------------------	---------------	-------

CONTENTS	■ Main Specification:	■ Packing:
-----------------	-----------------------	------------



■ Main Specification:

Material: Steel

Standards: DIN/ISO, ANSI

Color: Dark Blue, Bright.

Table 1

DIN/ISO Chain No.	ANSI Chain No.	Pitch	Roller	Width	Pin Diameter	Pin Length		Inner plate depth	Plate Thickness	Ultimate tensile strength	Average tensile strength	weight Per Meter
		P	d1	b1	d2	L	Lc	h2	T	Q	Q0	q
		max	min	max	max	max	max	max	min			
		mm	mm	mm	mm	mm	mm	mm	mm	kN/LB	kN	kg/m
*03C	*15	4.7625	2.48	2.38	1.62	6.10	6.90	4.30	0.60	1.80/409	2.00	0.08
*04C-1	*25	6.3500	3.30	3.18	2.31	7.90	8.40	6.00	0.80	3.50/795	4.60	0.15
*06C-1	*35	9.5250	5.08	4.77	3.58	12.40	13.17	9.00	1.30	7.90/1795	10.80	0.33
085-1	41	12.7000	7.77	6.25	3.58	13.75	15.00	9.91	1.30	6.67/1516	12.60	0.41
08A-1	40	12.7000	7.95	7.85	3.96	16.60	17.80	12.00	1.50	14.10/3205	17.50	0.62
10A-1	50	15.8750	10.16	9.40	5.08	20.70	22.00	15.09	2.03	22.20/5045	29.40	1.02
12A-1	60	19.0500	11.91	12.57	5.94	25.90	27.00	18.00	2.42	31.80/7227	41.50	1.50
16A-1	80	25.4000	15.88	15.75	7.92	32.70	35.00	24.00	3.25	59.70/12886	69.40	2.60
20A-1	100	31.7500	19.05	18.90	9.53	40.40	44.70	30.00	4.00	88.50/20114	109.20	3.91

24A-1	120	38.1000	22.23	25.22	11.10	5 0. 3 0	5 4. 3 0	35.70	4.80	127.00/ 28864	156.30	5.62
28A-1	140	44.4500	25.40	25.22	12.70	5 4. 4 0	5 9. 0 0	41.00	5.60	172.40/ 39182	212.00	7.50
32A-1	160	50.8000	28.58	31.55	14.27	6 4. 8 0	6 9. 6 0	47.80	6.40	226.80/ 51545	278.90	1.10
36A-1	180	57.1500	35.71	35.48	17.46	7 2. 8 0	7 8. 6 0	53.60	7.20	280.20/ 63682	341.80	13.45
40A-1	200	63.5000	39.68	37.85	19.85	8 0. 3 0	8 7. 2 0	60.00	8.00	353.80/ 80409	431.60	16.15
48A-1	240	76.2000	47.63	47.35	23.81	9 0. 5 0	1 0. 3. 0 0	72.39	9.50	51.30/1 15977	622.50	23.20

Packing:

Poly bags/Carton box/Wooden Case.