

Jinbo Marine

Marine & Offshore Equipment Datasheet

PRODUCT DATASHEET

B SERIES SHORT PITCH PRECISION ROLLER CHAIN

Simplex Roller Chain(B Series)

Main Specification DIN/ISO Chain No. Pitch Roller Width&nbsp; Pin Diameter Pin Length ...

ISO9001 Supplier

Class Certificate

Export Supply



Key Highlights

Category	B Series Short Pitch Precision Roller Chain
Standard	ISO
Material	40Mn2
Weight / Size	Pitch Roller Width Pin Diameter Pin Length Inner plate depth Plate Thic...
Certificate	ABS, LR, BV, DNVGL, NK, KR, IRS, RMRS, CCS

We can supply according to your requirement, drawings, class certificate needs, and delivery schedule.



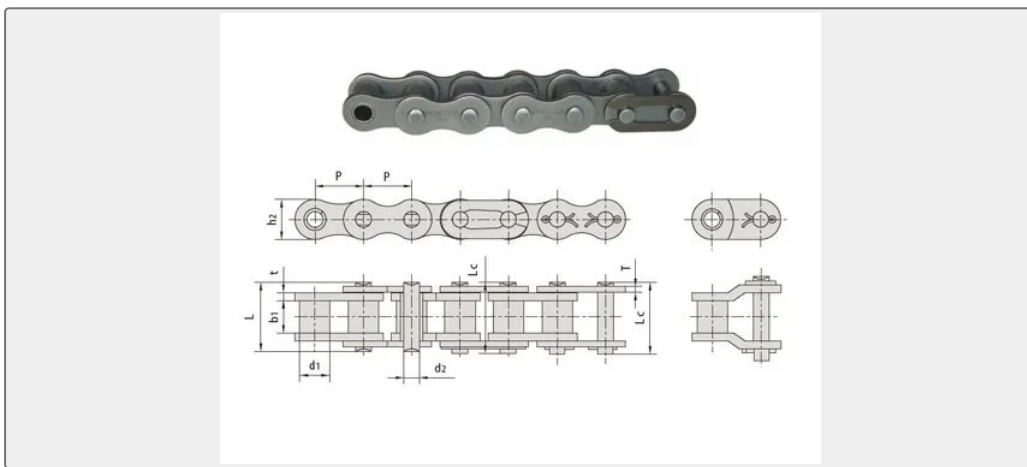
Technical Specifications			
Category	B Series Short Pitch Precision Roller Chain	Model / SKU	Simplex-Roller-Chain-B-Series
Standard	ISO	Material	40Mn2
Weight / Size	Pitch Roller Width Pin Diameter Pin Length Inner plate depth Plate Thickness Ultimate tensile strength Average tensile strength weight Per Meter P d1 b1 d2 L Lc h2 T Q Q0 q mm mm mm mm mm mm mm mm kN/LB kN kg/m 04B-1 6.000 4.00 2.80 1.85 6.80 7.80 5.00 0.6 3.2/682 3.20 0.11 05B-1 8.000 5.00 3.00 2.31 8.20 8.90 7.10 0.8 5.0/1136 5.90 0.20 *06B- 1 9.525 6.35 5.72 3.28 13.15 14.10 8.20 1.3 9.0/2045 10.40 0.41 08B-1 12.700 8.51 7.75 4.45 16.70 18.20 11.80 1.6 18.0/4091 19.40 0.69 10B-1 15.875 10.16 9.65 5.08 19.50 20.90 14.70 1.7 22.4/5091 27.50 0.93 12B-1 19.050 12.07 11.68 5.72 22.50 24.20 16.00 1.85 29.0/6591 32.20 1.15 16B-1 25.400 15.88 17.02 8.28 36.10 37.40 21.00 4.15/3.1 60.0/13636 72.80 2.71 20B-1 31.750 19.05 19.56 10.19 41.30 45.00 26.40 4.5/3.5 95.0/21591 106.70 3.70 24B-1 38.100 25.40 25.40 14.63 53.40 57.80 33.20 6.0/4.8 160.0/36364 178.00 7.10 28B-1 44.450 27.94 30.99 15.90 65.10 69.50 36.70 7.5/6.0 200.0/45455 222.00 8.50 32B-1 50.800 29.21 30.99 17.81 66.00 71.00 42.00 7.0/6.0 250.0/56818 277.50 10.25 40B-1 63.500 39.37 38.10 22.89 82.20 89.20 52.96 8.5/8.0 355.0/80682 394.00 16.35 48B-1 76.200 48.26 45.72 29.24 99.10 107.00 63.80 12/10 560.0/127272 621.60 25.00 Packing Poly-bag/Carton/Wooden Box	Certificate	ABS, LR, BV, DNVGL, NK, KR, IRS, RMRS, CCS
Warranty	12 Months unless specified otherwise	Origin	China



CONTENTS

■ Main Specification

■ Packing



Main Specification

DIN/ISO Chain No.	Pitch	Roller	Width	Pin Diameter	Pin Length		Inner plate depth	Plate Thickness	Ultimate tensile strength	Average tensile strength	weight Per Meter
	P	d1	b1	d2	L	Lc	h2	T	Q	Q0	q
	mm	mm	mm	mm	m m	m m	mm	mm	kN/LB	kN	kg/m
04B-1	6.000	4.00	2.80	1.85	6.80	7.80	5.00	0.6	3.2/682	3.20	0.11
05B-1	8.000	5.00	3.00	2.31	8.20	8.90	7.10	0.8	5.0/1136	5.90	0.20
*06B-1	9.525	6.35	5.72	3.28	13.50	14.00	8.20	1.3	9.0/2045	10.40	0.41

08B-1	12.700	8.51	7.75	4.45	1 6. 7 0	1 8. 2 0	11.80	1.6	18.0/4091	19.40	0.69
10B-1	15.875	10.16	9.65	5.08	1 9. 5 0	2 0. 9 0	14.70	1.7	22.4/5091	27.50	0.93
12B-1	19.050	12.07	11.68	5.72	2 2. 5 0	2 4. 2 0	16.00	1.85	29.0/6591	32.20	1.15
16B-1	25.400	15.88	17.02	8.28	3 6. 1 0	3 7. 4 0	21.00	4.15/3.1	60.0/13636	72.80	2.71
20B-1	31.750	19.05	19.56	10.19	4 1. 3 0	4 5. 0 0	26.40	4.5/3.5	95.0/21591	106.70	3.70
24B-1	38.100	25.40	25.40	14.63	5 3. 4 0	5 7. 8 0	33.20	6.0/4.8	160.0/36364	178.00	7.10
28B-1	44.450	27.94	30.99	15.90	6 5. 1 0	6 9. 5 0	36.70	7.5/6.0	200.0/45455	222.00	8.50
32B-1	50.800	29.21	30.99	17.81	6 6. 0 0	7 1. 0 0	42.00	7.0/6.0	250.0/56818	277.50	10.25
40B-1	63.500	39.37	38.10	22.89	8 2. 2 0	8 9. 2 0	52.96	8.5/8.0	355.0/80682	394.00	16.35
48B-1	76.200	48.26	45.72	29.24	9 9. 1 0	1 0. 7 0	63.80	12/10	560.0/12727 2	621.60	25.00

Packing

Poly-bag/Carton/Wooden Box