

Jinbo Marine

Marine & Offshore Equipment Datasheet

PRODUCT DATASHEET

DOVETAIL PLATES FOUNDATIONS

Single Flush ISO Foundations

- 1.All items ar Single flush ISO foundations e approved by major classification societies
- 2.customized design is available. Material: ship building steel Finish: paint Weight:7.5kg M.B.L: Tensi...

ISO9001 Supplier

Class Certificate

Export Supply



Key Highlights

Category	Dovetail Plates Foundations
Standard	ISO
Material	ship building steel
Weight / Size	paint Weight:7.5kg M.B.L:
Certificate	GL certificate

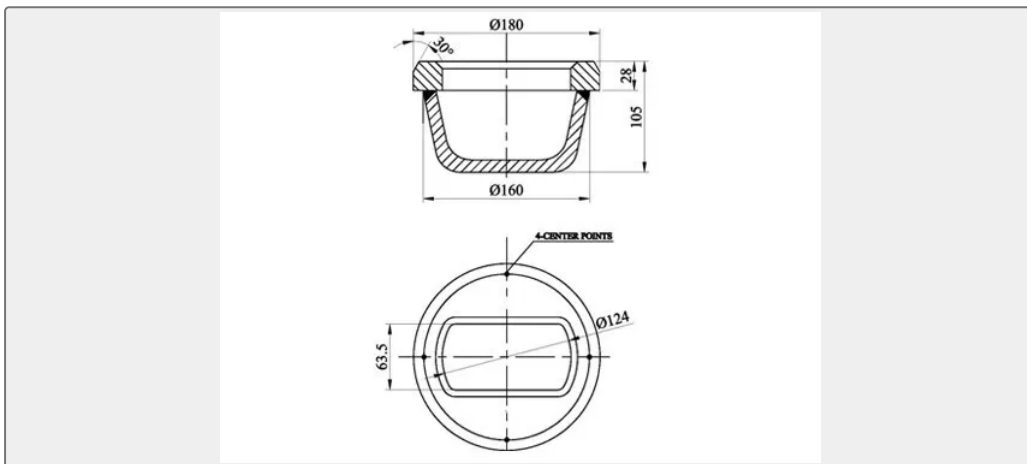
We can supply according to your requirement, drawings, class certificate needs, and delivery schedule.

Technical Specifications

Category	Dovetail Plates Foundations	Model / SKU	Single-Flush-ISO-Foundations
Standard	ISO	Material	ship building steel
Weight / Size	paint Weight:7.5kg M.B.L:	Surface	ship building steel Finish:
Certificate	GL certificate	Warranty	12 Months unless specified otherwise
Origin	China		



China Single Flush ISO Foundations:



- 1.All items ar Single flush ISO foundations e approved by major classification societies
- 2.customized design is available.

Material: ship building steel

Finish: paint

Weight:7.5kg

M.B.L: Tension: 500KN

M.B.L: Shear: 420KN

Certification: All items are approved by major classification societies

Remarks: customized design is available

Our scope of supply(cotainer fastners) covers the follows:

D-ring, Lashing plate, Raised ISO foundations, Dovetail foundations, Flush sockets, Sliding foundations, Guide cone, Guide block, Turnbuckles, Lashing rods, Extension rods, Manual twistlocks, Semi-automatic twistlocks, Midlocks, Sliding twistlocks, Bridge fittings, Single stackers, Double stackers, Hanging stackers, ETC.