

Jinbo Marine

Marine & Offshore Equipment Datasheet

PRODUCT DATASHEET

HOOK

Single Hook DIN15401

Single Hook is a type of lifting hook for lifting appliance. Drop Forged with hose, please contact us for inquiry. Single Hooks Specification Sr. No. ...

ISO9001 Supplier

Class Certificate

Export Supply



Key Highlights

Category	Hook
Standard	DIN
Material	High Tensile Steel
Weight / Size	SWL Size(mm) H1 H2 h d c B D M JB4701 3.2t 313 473 55 M36 65 50 65 40 JB...
Certificate	ABS, LR, BV, DNVGL, NK, KR, IRS, RMRS, CCS

We can supply according to your requirement, drawings, class certificate needs, and delivery schedule.

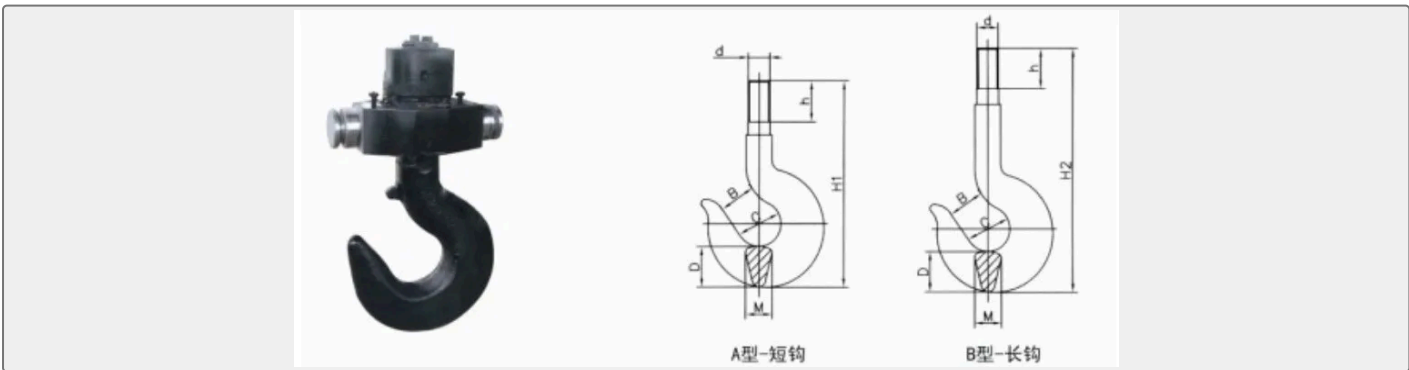
Technical Specifications			
Category	Hook	Model / SKU	Single-Hook-DIN15401
Standard	DIN	Material	High Tensile Steel
Weight / Size	SWL Size(mm) H1 H2 h d c B D M JB4701 3.2t 313 473 55 M36 65 50 65 40 JB4702 5t 400 560 70 M48 85 65 82 54 JB4703 8t 515 655 80 M56 110 85 100 65 JB4704 10t 575 775 90 M64 120 90 115 75 JB4705 12.5t 610 835 95 T70*10 130 100 130 80 JB4706 16t 665 100 T80*10 150 120 150 90 JB4707 20t 764 115 T90*12 170 130 164 102 JB4708 25t 804 130 T100*12 190 145 184 115 JB4709 32t 940 140 T110*12 210 160 205 130 JB4710 40t 1020 150 T120*12 240 180 240 150 JB4711 50t 1190 175 T140*16 270 205 260 165 JB4712 75(80)t 1490 205 T170*16 320 250 320 200	Certificate	ABS, LR, BV, DNVGL, NK, KR, IRS, RMRS, CCS
Warranty	12 Months unless specified otherwise	Origin	China

CONTENTS	■ China Single Hook DIN15401:	■ Single Hooks Specification
----------	-------------------------------	------------------------------

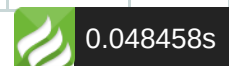
China Single Hook DIN15401:

Single Hook is a type of lifting hook for lifting appliance. Drop Forged with hose, please contact us for inquiry.

Single Hooks Specification



Sr. No.	SWL	Size(mm)								
		H1	H2	h	d	c	B	D	M	



JB4701	3.2t	313	473	55	M36	65	50	65	40
JB4702	5t	400	560	70	M48	85	65	82	54
JB4703	8t	515	655	80	M56	110	85	100	65
JB4704	10t	575	775	90	M64	120	90	115	75
JB4705	12.5t	610	835	95	T70*10	130	100	130	80
JB4706	16t	665	100	T80*10	150	120	150	90	
JB4707	20t	764	115	T90*12	170	130	164	102	
JB4708	25t	804	130	T100*12	190	145	184	115	
JB4709	32t	940	140	T110*12	210	160	205	130	
JB4710	40t	1020	150	T120*12	240	180	240	150	
JB4711	50t	1190	175	T140*16	270	205	260	165	
JB4712	75(80)t	1490	205	T170*16	320	250	320	200	