

Jinbo Marine

Marine & Offshore Equipment Datasheet

PRODUCT DATASHEET

MARINE CHOCK

Single Point Mooring Pipe JIS F 2030-1978 Type B

ISO9001 Supplier

Class Certificate

Export Supply

Single Point Mooring Pipe JIS F 2030-1978 type B and other deck fittings are used by military and industrial ships, operating effectively throughout the world. We designs and manufactures panama chocks in a wide variety o...

	<table border="1"> <thead> <tr> <th colspan="2">Key Highlights</th> </tr> </thead> <tbody> <tr> <td>Category</td> <td>Marine Chock</td> </tr> <tr> <td>Standard</td> <td>JIS</td> </tr> <tr> <td>Material</td> <td>Cast Steel</td> </tr> <tr> <td>Weight / Size</td> <td>Single Point Mooring Pipe JIS F 2030-1978 type B and other deck fittings...</td> </tr> <tr> <td>Certificate</td> <td>ABS , BV, CCS, mill certificate etc.</td> </tr> <tr> <td colspan="2">We can supply according to your requirement, drawings, class certificate needs, and delivery schedule.</td> </tr> </tbody> </table>	Key Highlights		Category	Marine Chock	Standard	JIS	Material	Cast Steel	Weight / Size	Single Point Mooring Pipe JIS F 2030-1978 type B and other deck fittings...	Certificate	ABS , BV, CCS, mill certificate etc.	We can supply according to your requirement, drawings, class certificate needs, and delivery schedule.	
Key Highlights															
Category	Marine Chock														
Standard	JIS														
Material	Cast Steel														
Weight / Size	Single Point Mooring Pipe JIS F 2030-1978 type B and other deck fittings...														
Certificate	ABS , BV, CCS, mill certificate etc.														
We can supply according to your requirement, drawings, class certificate needs, and delivery schedule.															

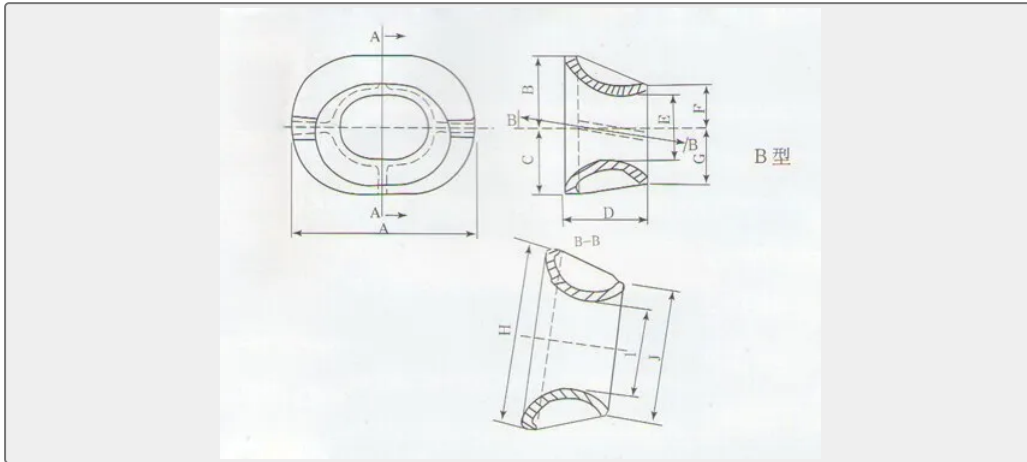
Technical Specifications

Category	Marine Chock	Model / SKU	Single-Point-Mooring-Pipe-JIS-F-2030-1978-Type-B
Standard	JIS	Material	Cast Steel
Weight / Size	Single Point Mooring Pipe JIS F 2030-1978 type B and other deck fittings are used by military and industrial ships, operating effectively throughout the world. We designs and manufactures panama chocks in a wide variety of sizes and styles.	Surface	Steel Pallet 6.surface in contact with the rope in use been finished smoothly.
Certificate	ABS , BV, CCS, mill certificate etc.	Warranty	12 Months unless specified otherwise
Origin	China		

 0.039408s

CONTENTS	<ul style="list-style-type: none"> China Single Point Mooring Pipe JIS F 2030-1978 Type B: Also we can supply other kinds of Chocks as below. 	<ul style="list-style-type: none"> Feature:
-----------------	---	--

China Single Point Mooring Pipe JIS F 2030-1978 Type B:



Single Point **Mooring Pipe** JIS F 2030-1978 type B and other deck fittings are used by military and industrial ships, operating effectively throughout the world. We designs and manufactures **panama chocks** in a wide variety of sizes and styles.

Feature:

1. Strict quality control.
2. Can issue BV, CCS, DNV, LR, KR, ABS, RINA certificate
3. Material: ZG200-400, ZG230-450.
4. Paint: Grey Epoxy Primer or Black Bitumen Paint, also can do comply with your requirement for the thickness.
5. Packing: Steel Pallet
6. surface in contact with the rope in use been finished smoothly.

for detail information also for the drawing, please contact with me.

Single Point Mooring Pipe JIS F 2030-1978 type B									
Product No.	Nominal size	Size(mm)							Weight (KG)
		A	B	C	D	E	H	I	
SMB-001	400	800	320	300	350	300	800	400	190
SMB-002	500	960	370	350	400	400	960	500	310
SMB-003	600	1120	420	400	450	450	1120	600	460
SMB-004	700	1280	470	450	500	500	1280	700	660



SMB-005	800	1440	520	500	550	600	1440	800	830
---------	-----	------	-----	-----	-----	-----	------	-----	-----

Also we can supply other kinds of Chocks as below.

Deck mounted Panama chock JIS F2017-1982 type AC

Bulwark mounted Panama Chock JIS F2017-1982 Type BC

Deck Mounted Closed Chock JIS F2005-1975

Bulwark mounted mooring chock JIS F 2007-1976 type A

Bulwark Mounted Chock DIN81915-1998 Type A

Bulwark Mounted Chock DIN81915-1998 Type B

Deck mounted Chock DIN81915-1998 type C

Deck mounted Chock DIN81915-1998 type D

Deck mounted Chock DIN81915-1998 type E

Deck Mounted Chock EU Type

Bulwark Mounted Chock EU Type

Single Point Mooring Pipe JIS F 2030-1978 type A

Single Point Mooring Pipe JIS F 2030-1978 type B

Deck mounted chock type A NS2587

Deck mounted chock type B NS2587

Deck mounted chock type A NS2588

Deck mounted chock type B NS2588

Deck mounted chock type A NS2589

Deck mounted chock type B NS2589

Deck mounted chock type A NS2590

Deck mounted chock type B NS2590

Mooring chock CB34 -76 TYPE A

Mooring chock CB34 -76 TYPE C

Open chock JISF 2006 TYPE FC