

Jinbo Marine

Marine & Offshore Equipment Datasheet

PRODUCT DATASHEET

QUICK RELEASE MOORING HOOK

Single Quick Release Mooring Hook

Brief description: Popular model:40,60,75,100,125 and 150 tons. Type:Single mooring hook
Mooring hook can be supplied as single, double, triple, quadruple and sextuple hook assembly. The hook mainl...

ISO9001 Supplier

Class Certificate

Export Supply



Key Highlights

Category Quick Release Mooring Hook

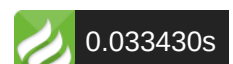
Standard DIN

Material Including Q235-A ,Q345B, 40Cr,35Crmo.The goods can be designed according...

Weight / Size Scope of Certificate and Report Supply ABS Certificate ,Inspection Relea...

Certificate CCS,BV, ABS ,DNV,GL,LR etc can be provide.

We can supply according to your requirement, drawings, class certificate needs, and delivery schedule.

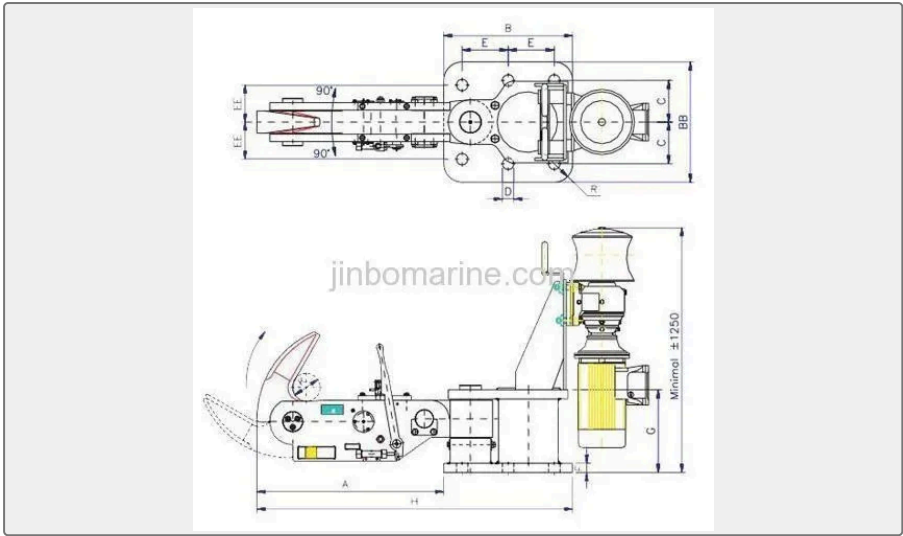


Technical Specifications			
Category	Quick Release Mooring Hook	Model / SKU	Single-Quick-Release-Mooring-Hook
Standard	DIN	Material	Including Q235-A ,Q345B, 40Cr,35Crmo.The goods can be designed according to your requirements.
Weight / Size	Scope of Certificate and Report Supply ABS Certificate ,Inspection Release Note, Certificate of Conformity, Test and Inspection Plan, WPS, PQR, Welder Qualifications, Weld Map, NDT Report, Operator Qualification, Material Certificate, Dimensional Report, FAT Report, Motor Certificate Paint Inspection Report Specification:	Surface	The surface of part must be finishing,can't have burr,short mark,sharp corner,split.
Certificate	CCS,BV, ABS ,DNV,GL,LR etc can be provide.	Warranty	12 Months unless specified otherwise
Origin	China		

CONTENTS

- Brief description:
- Main technical hook:
- Technical parameter:
- Specification:





Brief description:

Popular model:40,60,75,100,125 and 150 tons.

Type:Single mooring hook

Mooring hook can be supplied as single, double, triple, quadruple and sextuple hook assembly. The hook mainly mounted onto concrete or steel deck structures.

Material:Including Q235-A ,Q345B, 40Cr,35Crmo.The goods can be designed according to your requirements.

Certificate:CCS,BV, ABS ,DNV,GL,LR etc can be provide.

Main technical hook:

quantity of hook body for one handle: 1 hook

operating force by handle: <150N

swing angle of hook body in horizontal: 45~90°

swing angle of hook body in vertical: 45°

Technical parameter:

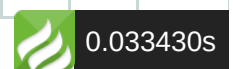
The surface of part must be finishing,can't have burr,short mark,sharp corner,split.

Scope of Certificate and Report Supply

ABS Certificate ,Inspection Release Note, Certificate of Conformity, Test and Inspection Plan, WPS, PQR, Welder Qualifications, Weld Map, NDT Report, Operator Qualification, Material Certificate, Dimensional Report, FAT Report, Motor Certificate Paint Inspection Report

Specification:

Product No.	Safe working load(Kn)	Weight(kg)	A	B	BB	C	D	E	EE	F	G	H	K	R	X
SHA-001	400	304	668	60 0	60 0	22 5	5 4	22 5	22 5	3 5	37 0	126 8	96	75	4*M4 8



SHA-002	600	512	873	65 0	65 0	23 5	5 4	23 5	20 0	4 5	40 7	152 3	13 0	90	6*M4 8
SHA-003	750	587	923	65 0	65 0	22 5	6 2	22 5	20 0	4 5	41 7	157 3	13 0	10 0	6*M5 6
SHA-004	1000	792	101 4	70 0	65 0	22 5	6 2	25 0	20 0	5 0	44 7	171 4	15 0	10 0	6*M5 6
SHA-005	1250	887	108 5	70 0	65 0	22 5	7 0	25 0	20 0	5 5	47 9	178 5	15 0	10 0	6*M6 4
SHA-006	1500	1253	125 5	70 0	65 0	22 5	7 8	25 0	19 5	5 5	49 9	195 5	15 0	10 0	6*M7 2