

Jinbo Marine

Marine & Offshore Equipment Datasheet

PRODUCT DATASHEET

STACKING CONES

Single Stacking Cone

1.All items are approved by major classification societies 2.customized design is available.

Material: casting steel Finish: hot dip galvanized weight:2.3kg M.B.L shear:420KN

Certificatio...

ISO9001 Supplier

Class Certificate

Export Supply



Key Highlights

Category	Stacking Cones
Standard	ISO
Material	casting steel
Weight / Size	hot dip galvanized weight:2.3kg M.B.L shear:420KN Certification:
Certificate	GL certificate

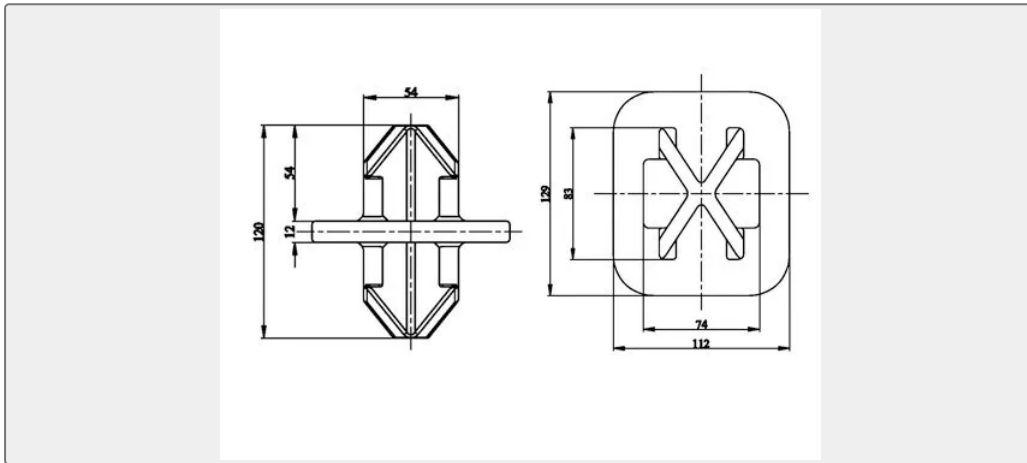
We can supply according to your requirement, drawings, class certificate needs, and delivery schedule.

Technical Specifications

Category	Stacking Cones	Model / SKU	Single-Stacking-Cone
Standard	ISO	Material	casting steel
Weight / Size	hot dip galvanized weight:2.3kg M.B.L shear:420KN Certification:	Surface	hot dip galvanized
Certificate	GL certificate	Warranty	12 Months unless specified otherwise
Origin	China		



China Single Stacking Cone:



- 1.All items are approved by major classification societies
- 2.customized design is available.

Material: casting steel

Finish: hot dip galvanized

weight:2.3kg

M.B.L shear:420KN

Certification: All items are approved by major classification societies

Remarks: customized design is available

Our scope of supply(cotainer fastners) covers the follows:

D-ring, Lashing plate, Raised ISO foundations, Dovetail foundations, Flush sockets, Sliding foundations, Guide cone, Guide block, Turnbuckles, Lashing rods, Extension rods, Manual twistlocks, Semi-automatic twistlocks, Midlocks, Sliding twistlocks, Bridge fittings, Single stackers, Double stackers, Hanging stackers, ETC