

CHAIN SLING

# Slingle leg spliced wire rope sling for sale

ISO9001 Supplier

Class Certificate

Export Supply

VC---- Whole set of spliced wire rope sling S---- Sling legs (S-Single leg, D-Double legs, F-four legs) H---- Fittings (H-hook) 06--- Steel Wire Rope Diameter L---- E...



### Key Highlights

Category	Chain Sling
Standard	DIN
Material	Galvanized Steel Wire Rope
Certificate	ABS, LR, BV, DNVGL, NK, KR, IRS, RMRS, CCS

We can supply according to your requirement, drawings, class certificate needs, and delivery schedule.

### Technical Specifications

Category	Chain Sling	Model / SKU	Slingle-leg-spliced-wire-rope-sling-for-sale
Standard	DIN	Material	Galvanized Steel Wire Rope
Certificate	ABS, LR, BV, DNVGL, NK, KR, IRS, RMRS, CCS	Warranty	12 Months unless specified otherwise
Origin	China		

## China Slingle leg spliced wire rope sling for sale:

VC----

Whole set of spliced wire rope sling

S----

Sling legs (S-Single leg, D-Double legs, F-four legs)

H----

Fittings (H-hook)

06---

Steel Wire Rope Diameter

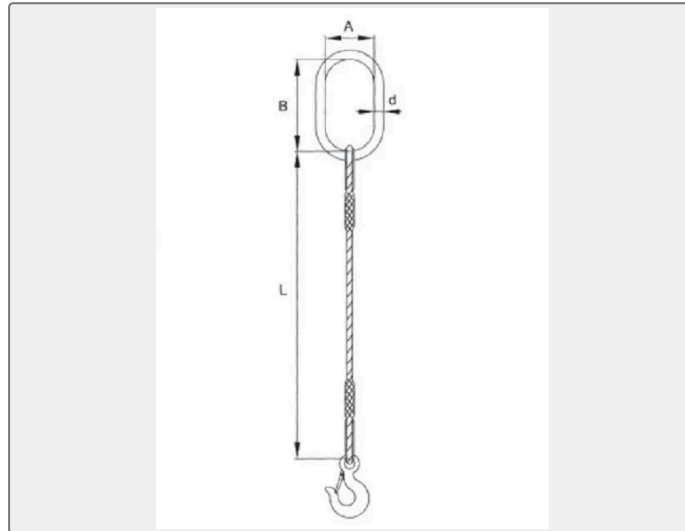
L----

Effective length of steel wire rope

The specification of the steel wire in the form with the working load is : 6\*37+FC-1670;

Different construction rope with different working load, we can calculate the working load of the steel wire rope construction that the customer required.

According to the Standard GB/T16271-1996.



Products type		Dia of rope(d) ( mm )	Working load limit		Approx. eye Ength A (mm)
FC	IWR		( FC)kN	(IWR)kN	
VDF06	VDW06	6	2.7	2.9	180
VDF07	VDW07	7	3.6	3.9	190
VDF08	VDW08	8	4.7	5.1	210
VDF09	VDW09	9	6	6.5	230
VDF10	VDW10	10	7.4	8	230
VDF11	VDW11	11	8.9	9.7	250
VDF12	VDW12	12	11	11.5	260
VDF13	VDW13	13	12	14	260
VDF14	VDW14	14	14	16	280
VDF16	VDW16	16	19	20	320
VDF18	VDW18	18	24	26	360
VDF20	VDW20	20	30	32	400
VDF22	VDW22	22	36	39	440
VDF24	VDW24	24	42	46	480

VDF26	VDW26	26	50	54	520
VDF28	VDW28	28	58	63	560
VDF30	VDW30	30	66	72	600
VDF32	VDW32	32	76	82	640
VDF34	VDW34	34	85	92	680
VDF36	VDW36	36	96	104	720
VDF38	VDW38	38	106	115	760
VDF40	VDW40	40	118	128	800
VDF42	VDW42	42	130	141	840
VDF44	VDW44	44	143	155	880
VDF46	VDW46	46	156	169	920
VDF48	VDW48	48	170	183	960
VDF50	VDW50	50	185	200	1000
VDF52	VDW52	52	200	216	1040
VDF54	VDW54	54	215	233	1080
VDF56	VDW56	56	231	251	1120
VDF58	VDW58	58	248	269	1160
VDF60	VDW60	60	266	287	1200
VDF62	VDW62	62	241	286	1240
VDF64	VDW64	64	257	304	1280
VDF66	VDW66	66	274	324	1320
VDF68	VDW68	68	291	344	1360
VDF70	VDW70	70	308	365	1400
VDF72	VDW72	72	326	386	1440
VDF74	VDW74	74	344	407	1480
VDF76	VDW76	76	363	430	1520
VDF78	VDW78	78	383	453	1560
VDF80	VDW80	80	402	476	1600
VDF82	VDW82	82	423	500	1640
VDF84	VDW84	84	444	525	1680
VDF86	VDW86	86	465	550	1720
VDF88	VDW88	88	487	576	1760
VDF90	VDW90	90	509	603	1800

VDF92	VDW92	92	532	630	1840
VDF94	VDW94	94	556	657	1880
VDF96	VDW96	96	579	686	1920
VDF98	VDW98	98	604	714	1960
VDF100	VDW100	100	629	744	2000
VDF102	VDW102	102	654	774	2040
VDF104	VDW104	104	680	805	2080
VDF106	VDW106	106	707	836	2120
VDF108	VDW108	108	733	868	2160
VDF110	VDW110	110	761	900	2200
VDF112	VDW112	112	789	933	2240
VDF114	VDW114	114	817	967	2280
VDF116	VDW116	116	846	1001	2320
VDF118	VDW118	118	876	1036	2360
VDF120	VDW120	120	905	1071	2400
VDF122	VDW122	122	1006	1252	2440
VDF124	VDW124	124	1039	1294	2480
VDF126	VDW126	126	1074	1336	2520
VDF128	VDW128	128	1108	1378	2560
VDF130	VDW130	130	1143	1422	2600
VDF132	VDW132	132	1179	1467	2640
VDF138	VDW138	138	1288	1605	2760
VDF140	VDW140	140	1326	1650	2800
VDF142	VDW142	142	1363	1695	2840
VDF144	VDW144	144	1402	1740	2880
VDF146	VDW146	146	1441	1800	2920
VDF148	VDW148	148	1482	1845	2960
VDF150	VDW150	150	1515	1890	3000