

Jinbo Marine

Marine & Offshore Equipment Datasheet

PRODUCT DATASHEET

MARINE TOWING AND MOORING BRACKET

Smith Towing Bracket

Smith towing bracket is welded to the deck and is rated to withstand the breaking load of the chain being used. The bracket works using a large sliding pin which receives the towing chain and locks it quickly and s...

- ISO9001 Supplier
- Class Certificate
- Export Supply



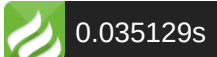
Key Highlights

Category	Marine Towing and Mooring Bracket
Standard	JIS
Material	Cast iron, cast steel.
Weight / Size	Nominal Dia.(mm) Dimensions(mm) Mass(kg) SWL(KN) MBL(KN) A B C D E F H S...
Certificate	ABS , BV,, CCS, mill certificate etc.

We can supply according to your requirement, drawings, class certificate needs, and delivery schedule.

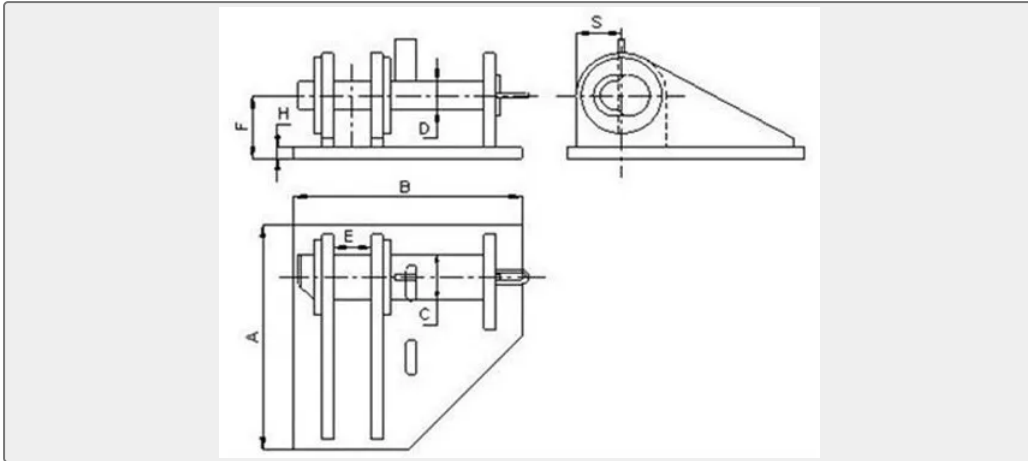
Technical Specifications

Category	Marine Towing and Mooring Bracket	Model / SKU	Smith-Towing-Bracket
Standard	JIS	Material	Cast iron, cast steel.
Weight / Size	Nominal Dia.(mm) Dimensions(mm) Mass(kg) SWL(KN) MBL(KN) A B C D E F H S 54 720 650 115 75 100 205 30 118 195 1000 2000 76 900 800 160 110 150 240 30 170 390 2000 4000 84 1018 905 170 120 160 273 35 210 560 2500 5000 95 1120 940 195 135 170 290 40 276 760 3000 6570 Also we can supply other type chain stopper.	Certificate	ABS , BV,, CCS, mill certificate etc.
Warranty	12 Months unless specified otherwise	Origin	China



CONTENTS

- Feature:
- we can supply:
- Also we can supply other type chain stopper.



Smith towing bracket is welded to the deck and is rated to withstand the breaking load of the chain being used.

The bracket works using a large sliding pin which receives the towing chain and locks it quickly and securely into place. On request, smith towing bracket can be supplied with type approval from Lloyds, ABS, BV or DNV.

For Emergency Towing System and Single Point Mooring.

Weld insert on Deck.Weld on Deck as request.

Feature:

- 1.Excellent quality and competitive price.
- 2.Durable, long lifetime.
- 3.Standard or customerized.

Nominal Dia.(mm)	Dimensions(mm)								Mass(kg)	SWL(KN)	MBL(KN)
	A	B	C	D	E	F	H	S			
54	720	650	115	75	100	205	30	118	195	1000	2000
76	900	800	160	110	150	240	30	170	390	2000	4000
84	1018	905	170	120	160	273	35	210	560	2500	5000
95	1120	940	195	135	170	290	40	276	760	3000	6570

Also we can supply other type chain stopper.

we can supply:

- JIS F2002-1976 cast iron Bar Type Chain Stopper
- JIS F2015-1987 Cast Steel Bar Type Chain Stopper
- JIS F2023-1976 Cast Steel Bar Type Chain Stopper
- JIS F-2031 Pawl Type Chain Stopper



JIS F-2032 Roller Pawl Type Chain Stopper

JIS F-2033 Roller Bar Type Chain Stopper type B

OCIMF Type single point mooring Chain Stopper

CB286-84 cast steel lever chain stopper

GB/T 3844-2000 Marine roller lever chain stopper

GB/T 178-96 spiral type chain stopper/ screw type chain stopper

Smith towing bracket for chain stopper

OCIMF Type Towing Bracket

Non-standard chain stopper, we can customize it according to your drawing.