

Jinbo Marine

Marine & Offshore Equipment Datasheet

PRODUCT DATASHEET

STEEL CARGO BLOCK

Snatch Blocks HL Series

Drawing: Picture : Specification: stock no. will(t) wire up to (mm) bearing dimensions(mm) weight...

ISO9001 Supplier

Class Certificate

Export Supply



Key Highlights

Category	Steel Cargo Block
Standard	EN
Weight / Size	will(t) wire up to (mm) bearing dimensions(mm) weight(kg) D1 D2 F H R T ...
Certificate	ABS, LR, BV, DNVGL, NK, KR, IRS, RMRS, CCS

We can supply according to your requirement, drawings, class certificate needs, and delivery schedule.

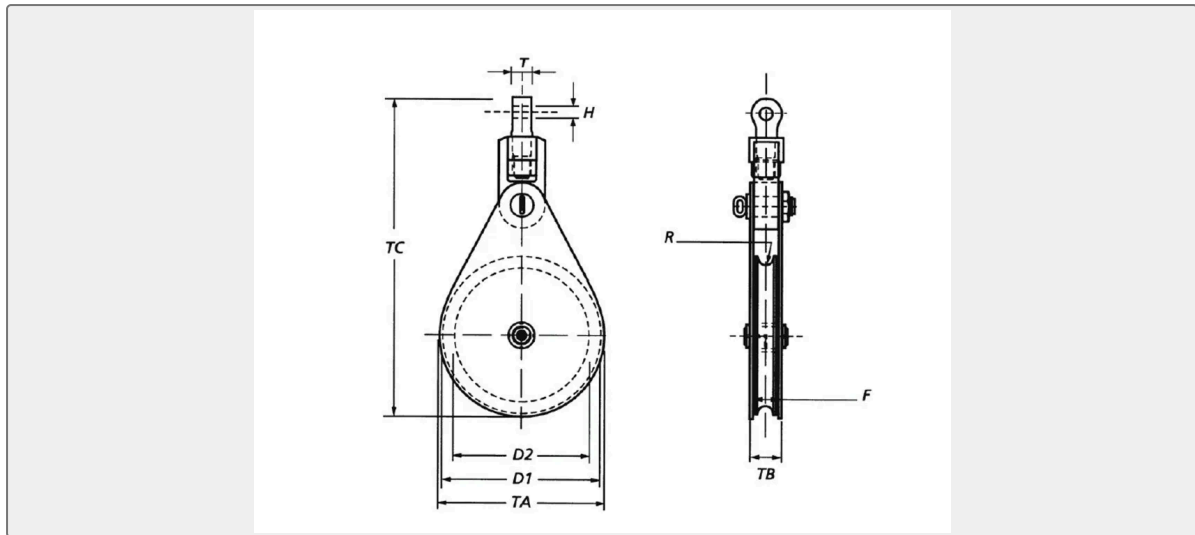


Technical Specifications			
Category	Steel Cargo Block	Model / SKU	Snatch-Blocks-HL-Series
Standard	EN	Weight / Size	will(t) wire up to (mm) bearing dimensions(mm) weight(kg) D1 D2 F H R T TA TB TC 12.008.20.03 20 26-28 RB 200 150 70 52 14.5 70 212 96 751 70 12.008.20.13 20 26-28 BB 200 150 70 52 14.5 70 212 96 751 70 12.010.20.03 20 26-28 RB 250 190 70 52 14.5 70 262 96 801 81 12.010.20.13 20 26-28 BB 250 190 70 52 14.5 70 262 96 801 81 12.012.20.03 20 26-28 RB 300 240 70 52 14.5 70 312 96 851 95 12.012.20.13 20 26-28 BB 300 240 70 52 14.5 70 312 96 851 95 12.014.20.03 20 26-28 RB 350 290 70 52 14.5 70 362 96 901 100 12.014.20.13 20 26-28 BB 350 290 70 52 14.5 70 362 96 901 100 12.016.20.03 20 26-28 RB 400 340 70 52 14.5 70 412 96 951 110 12.016.20.13 20 26-28 BB 400 340 70 52 14.5 70 412 96 951 110 12.018.30.03 30 28-32 RB 450 390 80 60 16.5 80 462 112 1121 155 12.018.30.13 30 28-32 BB 450 390 80 60 16.5 80 462 112 1121 155 12.020.30.03 30 28-32 RB 500 430 80 60 16.5 80 512 112 1171 180 12.020.30.13 30 28-32 BB 500 430 80 60 16.5 80 512 112 1171 180 12.024.30.03 30 28-32 RB 600 520 80 60 16.5 80 612 112 1271 250 12.024.30.13 30 28-32 BB 600 520 80 60 16.5 80 612 112 1271 250 Product Advantage:
Certificate	ABS, LR, BV, DNVGL, NK, KR, IRS, RMRS, CCS	Warranty	12 Months unless specified otherwise
Origin	China		

CONTENTS	<ul style="list-style-type: none"> ■ Drawing: ■ Specification: ■ Packing and Delivery : 	<ul style="list-style-type: none"> ■ Picture : ■ Product Advantage: ■ How to Order?
-----------------	--	--



Drawing:



Picture :



Specification:

stock no.	will(t)	wire up to (mm)	bearing	dimensions(mm)									weight(kg)
				D1	D2	F	H	R	T	TA	TB	TC	
12.008.20.03	20	26-28	RB	200	150	70	52	14.5	70	212	96	751	70
12.008.20.13	20	26-28	BB	200	150	70	52	14.5	70	212	96	751	70
12.010.20.03	20	26-28	RB	250	190	70	52	14.5	70	262	96	801	81
12.010.20.13	20	26-28	BB	250	190	70	52	14.5	70	262	96	801	81
12.012.20.03	20	26-28	RB	300	240	70	52	14.5	70	312	96	851	95

12.012.20.13	20	26-28	BB	300	240	70	52	14.5	70	312	96	851	95
12.014.20.03	20	26-28	RB	350	290	70	52	14.5	70	362	96	901	100
12.014.20.13	20	26-28	BB	350	290	70	52	14.5	70	362	96	901	100
12.016.20.03	20	26-28	RB	400	340	70	52	14.5	70	412	96	951	110
12.016.20.13	20	26-28	BB	400	340	70	52	14.5	70	412	96	951	110
12.018.30.03	30	28-32	RB	450	390	80	60	16.5	80	462	112	1121	155
12.018.30.13	30	28-32	BB	450	390	80	60	16.5	80	462	112	1121	155
12.020.30.03	30	28-32	RB	500	430	80	60	16.5	80	512	112	1171	180
12.020.30.13	30	28-32	BB	500	430	80	60	16.5	80	512	112	1171	180
12.024.30.03	30	28-32	RB	600	520	80	60	16.5	80	612	112	1271	250
12.024.30.13	30	28-32	BB	600	520	80	60	16.5	80	612	112	1271	250

Product Advantage:

- 1.Satisfactory Quality
- 2.Competitive Price
- 3.Prompt Delivery
- 4.7x24 hours service

Packing and Delivery :

1. Standard Export Packing or Seaworthy Packing, if you have special requirement, please specify when inquiry.
2. Fast Delivery, delivery time can negotiate when order.

How to Order?

1. Please inform us the model, type or size you need.
2. Please inform us the quantity to make the best price for you.
3. Shipment Model: Air or Sea shipment.
4. Special requirement if any.

