

Jinbo Marine

Marine & Offshore Equipment Datasheet

PRODUCT DATASHEET

STEEL CARGO BLOCK

Snatch Blocks S Series With Hook

ISO9001 Supplier

Class Certificate

Export Supply

Drawing: Picture: Specification : stock no. will(t) wire dimensions(mm) bearing type weight(kg)

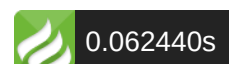
...



Key Highlights

Category	Steel Cargo Block
Standard	EN
Weight / Size	will(t) wire dimensions(mm) bearing type weight(kg) (mm) (inches) Φ D1 Φ D...
Certificate	ABS, LR, BV, DNVGL, NK, KR, IRS, RMRS, CCS

We can supply according to your requirement, drawings, class certificate needs, and delivery schedule.

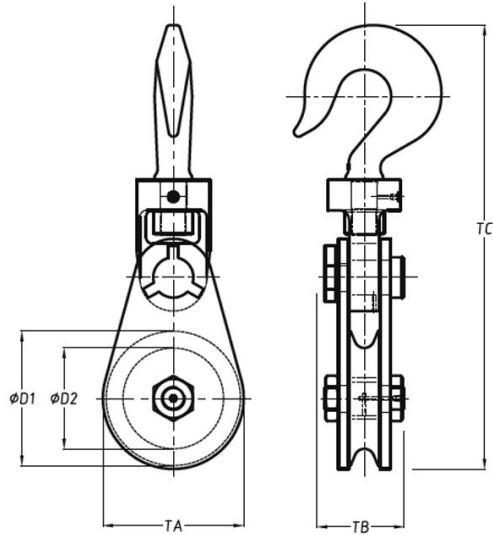


Technical Specifications			
Category	Steel Cargo Block	Model / SKU	Snatch-Blocks-S-Series-With-Hook
Standard	EN	Weight / Size	will(t) wire dimensions(mm) bearing type weight(kg) (mm) (inches) ΦD1 ΦD2 TA TB TC 12.103.02.14 2 7-9 9/32-3/8 75 58 82 70 290 BB 4 12.104.04.14 4 10-12 3/8-1/2 115 90 120 70 358 BB 6 12.106.04.14 4 16-19 5/8-3/4 150 120 160 70 432 BB 14 12.106.08.14 8 19-22 3/4-7/8 150 120 160 93 497 RB 15 12.108.08.14 8 19-22 3/4-7/8 200 165 210 93 550 RB 16 12.110.10.14 10 24-26 1 250 205 260 115 681 RB 38 12.110.12.14 12 24-26 1 250 205 260 115 683 RB 42 12.112.12.14 12 24-26 1 300 250 310 133 767 RB 56 12.108.15.14 15 22-24 7/8-15/16 200 165 210 102 663 RB 24 12.112.15.14 15 24-26 1 300 250 310 133 788 RB 65 12.114.22.14 22 28-32 9/8-5/4 355 305 365 140 962 RB 90 12.116.22.14 22 28-32 9/8-5/4 405 350 415 140 1019 RB 108 12.118.22.14 22 28-32 9/8-5/4 450 295 465 180 1069 RB 120 12.112.30.14 30 28-30 9/8-19/16 300 245 310 193 1023 RB 125 12.116.30.14 30 32-35 5/4-11/8 405 350 415 155 1121 RB 135 12.120.30.14 30 32-35 5/4-11/8 508 440 514 162 1256 RB 210 12.114.35.14 35 32-35 5/4-11/8 350 280 365 193 1058 RB 130 12.124.50.14 50 46-50 28/16-2 600 500 625 275 1525 RB 418 Product Advantage:
Certificate	ABS, LR, BV, DNVGL, NK, KR, IRS, RMRS, CCS	Warranty	12 Months unless specified otherwise
Origin	China		

CONTENTS	■ Drawing:	■ Picture:
	■ Specification :	■ Product Advantage:
	■ Packing and Delivery :	■ How to Order?



Drawing:



dqmarine.com

Picture:



dqmarine.com

Specification :

stock no.	will(t)	wire		dimensions(mm)					bearing type	weight(kg)
		(mm)	(inches)	$\phi D1$	$\phi D2$	TA	TB	TC		
12.103.02.14	2	7-9	9/32-3/8	75	58	82	70	290	BB	4
12.104.04.14	4	10-12	3/8-1/2	115	90	120	70	358	BB	6
12.106.04.14	4	16-19	5/8-3/4	150	120	160	70	432	BB	14

 0.062440s

12.106.08.14	8	19-22	3/4-7/8	150	120	160	93	497	RB	15
12.108.08.14	8	19-22	3/4-7/8	200	165	210	93	550	RB	16
12.110.10.14	10	24-26	1	250	205	260	115	681	RB	38
12.110.12.14	12	24-26	1	250	205	260	115	683	RB	42
12.112.12.14	12	24-26	1	300	250	310	133	767	RB	56
12.108.15.14	15	22-24	7/8-15/16	200	165	210	102	663	RB	24
12.112.15.14	15	24-26	1	300	250	310	133	788	RB	65
12.114.22.14	22	28-32	9/8-5/4	355	305	365	140	962	RB	90
12.116.22.14	22	28-32	9/8-5/4	405	350	415	140	1019	RB	108
12.118.22.14	22	28-32	9/8-5/4	450	295	465	180	1069	RB	120
12.112.30.14	30	28-30	9/8-19/16	300	245	310	193	1023	RB	125
12.116.30.14	30	32-35	5/4-11/8	405	350	415	155	1121	RB	135
12.120.30.14	30	32-35	5/4-11/8	508	440	514	162	1256	RB	210
12.114.35.14	35	32-35	5/4-11/8	350	280	365	193	1058	RB	130
12.124.50.14	50	46-50	28/16-2	600	500	625	275	1525	RB	418

Product Advantage:

- 1.Satisfactory Quality
- 2.Competitive Price
- 3.Prompt Delivery
- 4.7x24 hours service

Packing and Delivery :

1. Standard Export Packing or Seaworthy Packing, if you have special requirement, please specify when inquiry.
2. Fast Delivery, delivery time can negotiate when order.

How to Order?

1. Please inform us the model, type or size you need.
2. Please inform us the quantity to make the best price for you.



3. Shipment Model: Air or Sea shipment.
4. Special requirement if any.

