

# Jinbo Marine

Marine & Offshore Equipment Datasheet

PRODUCT DATASHEET

## OTHER MARINE VALVES & ACCESSORIES

# Soil Line 3 Way Valve

Soil Line 3 Way Valve Purpose: Change for discharge line of overboard and sewage treatment tanks Feature: Non accumulation and non space, easy operation. Body hydrostatic test: 0.2Mpa Material: Ca...

ISO9001 Supplier

Class Certificate

Export Supply



### Key Highlights

Category	Other Marine Valves & Accessories
Standard	EN
Material	Cast Steel
Weight / Size	Main Size:
Certificate	ABS, LR, BV, DNVGL, NK, KR, IRS, RMRS, CCS

We can supply according to your requirement, drawings, class certificate needs, and delivery schedule.

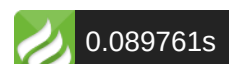
### Technical Specifications

Category	Other Marine Valves & Accessories	Model / SKU	Soil-Line-3-Way-Valve
Standard	EN	Material	Cast Steel
Weight / Size	Main Size:	Certificate	ABS, LR, BV, DNVGL, NK, KR, IRS, RMRS, CCS
Warranty	12 Months unless specified otherwise	Origin	China

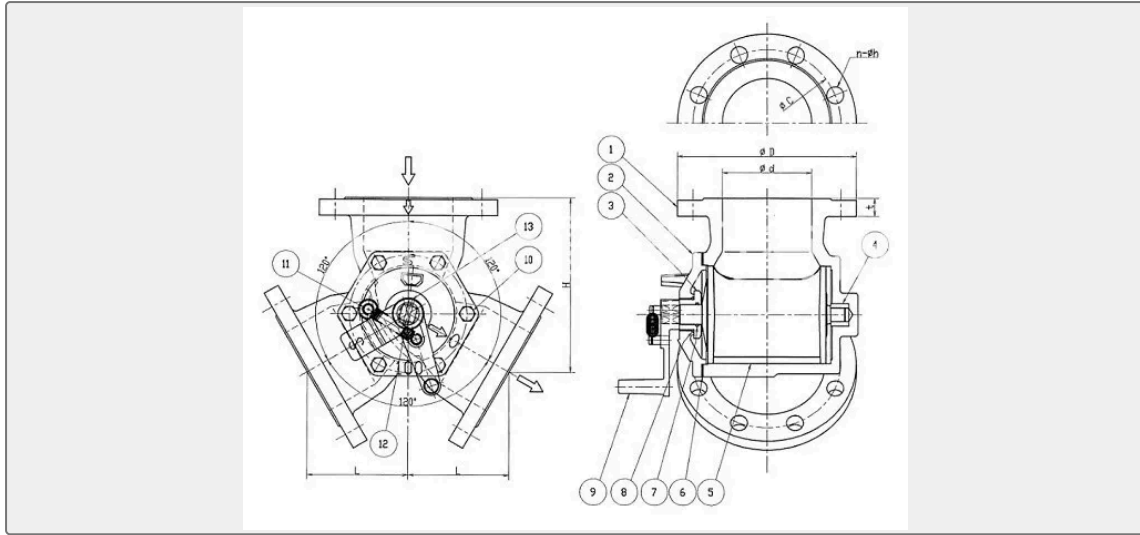
#### CONTENTS

■ China Soil Line 3 Way Valve:

■ Main Size:



## China Soil Line 3 Way Valve:



### Soil Line 3 Way Valve

Purpose: Change for discharge line of overboard and sewage treatment tanks

Feature: Non accumulation and non space, easy operation.

Body hydrostatic test: 0.2Mpa

Material: Cast Steel or Cast Iron.

### Main Size:

Model	Size	d	L	H	D	C	n	h	t	Weight(kgs)
SLB-100	100A	100	113	195	200	165	8	19	16	24
SLB-125	125A	125	126	218	235	200	8	19	16	36
SLB-150	150A	150	143	248	265	230	8	19	16	45