

Jinbo Marine

Marine & Offshore Equipment Datasheet

PRODUCT DATASHEET

CB MARINE SOUNDING DEVICE

Sounding Self-Closing Valve CB/T3778-1999

ISO9001 Supplier

Class Certificate

Export Supply

Sounding self-closing valve must pass the hydraulic test and seal test. The hydraulic test pressure is 0.3Mpa, and last for 5minutes. The seal test pressure is 0.2Mpa, also last for 5 minutes. The kind of sounding ...



Key Highlights

| | |
|---------------|-------------------------------------|
| Category | CB Marine Sounding Device |
| Standard | JIS |
| Material | Bronze |
| Weight / Size | Bronze 5-Counterweight (Test Cock): |
| Certificate | Mill Certificate, CCS |

We can supply according to your requirement, drawings, class certificate needs, and delivery schedule.

Technical Specifications

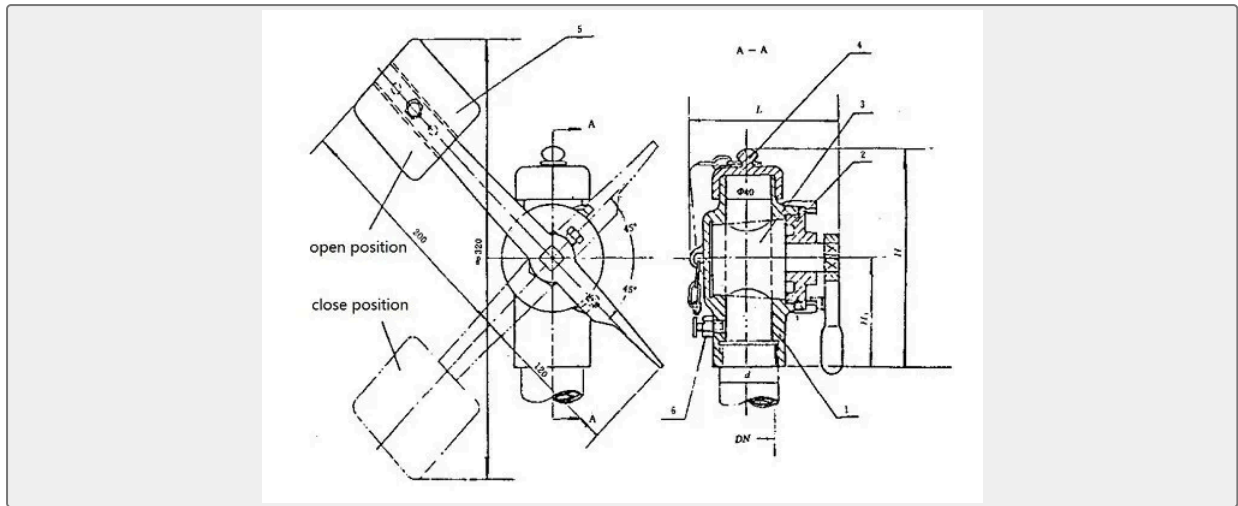
| | | | |
|---------------|--------------------------------------|-------------|---|
| Category | CB Marine Sounding Device | Model / SKU | Sounding-Self-Closing-Valve-CB-T3778-1999 |
| Standard | JIS | Material | Bronze |
| Weight / Size | Bronze 5-Counterweight (Test Cock): | Certificate | Mill Certificate, CCS |
| Warranty | 12 Months unless specified otherwise | Origin | China |

CONTENTS

- China Sounding Self-Closing Valve CB/T3778-1999:
- Material:
- Main Size list(mm):



China Sounding Self-Closing Valve CB/T3778-1999:



Sounding self-closing valve must pass the hydraulic test and seal test. The hydraulic test pressure is 0.3Mpa, and last for 5minutes. The seal test pressure is 0.2Mpa, also last for 5 minutes.

The kind of sounding self-closing valve can be called as self-closing valve with sounding cap and test cock, self closing parallel cock heads for short souding pipe

Standard: CB/T3778-1999, CBM1128-82, JIS F3018.

Material:

- 1-Body: Bronze
- 2-Gland:Bronze
- 3-Plug: Bronze
- 4-Cover: Bronze
- 5-Counterweight (Test Cock): Nodular Iron
- 6-Self-Closing air valve: Brass

Main Size list(mm):

| DN | d (inch) | H | H1 | L | Weight(kgs) |
|----|----------|-----|-----|-----|-------------|
| 40 | G 1-1/2" | 220 | 100 | 130 | 6.38 |
| 50 | G 2" | 225 | 105 | 140 | 6.85 |
| 65 | G 2-1/2" | 225 | 105 | 155 | 6.89 |