

Jinbo Marine

Marine & Offshore Equipment Datasheet

PRODUCT DATASHEET

MARINE COVER

Square Steel Quick Acting Watertight Hatch Cover

ISO9001 Supplier

Class Certificate

Export Supply

Standard:CB/T3842-2000 The hatch cover is with the spring-balance device and the central clip device, so it is watertight, and can be opened or closed quickly and easily. There are two types, A type is round, B type...



Key Highlights

Category	Marine Cover
Standard	CB
Material	Steel
Weight / Size	Cover-Steel Coaming-Steel Handwheel-Steel, Stainless Steel or Steel with...
Certificate	CCS, BV, ABS, GL, LR, DNV, NK,RINA, KR,IRS

We can supply according to your requirement, drawings, class certificate needs, and delivery schedule.

Technical Specifications

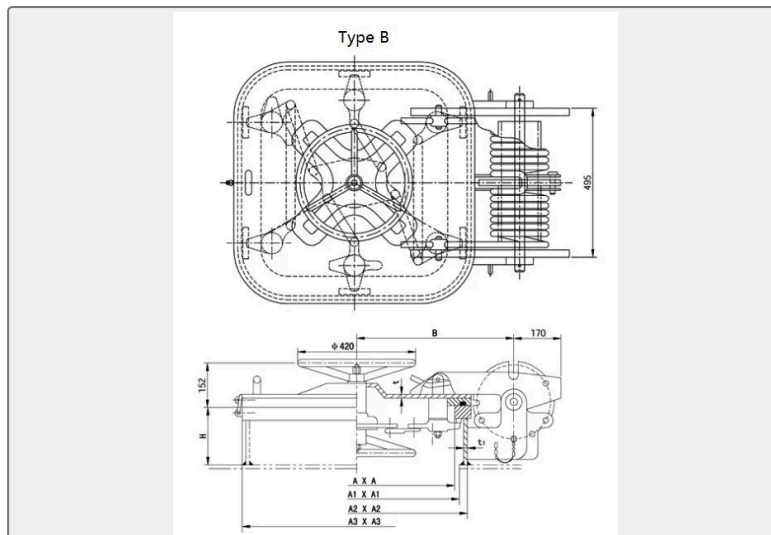
Category	Marine Cover	Model / SKU	Square-Steel-Quick-Acting-Watertight-Hatch-Cover
Standard	CB	Material	Steel
Weight / Size	Cover-Steel Coaming-Steel Handwheel-Steel, Stainless Steel or Steel with Galv Spring-Spring Steel Main Size List(mm):	Certificate	CCS, BV, ABS, GL, LR, DNV, NK,RINA, KR,IRS
Warranty	12 Months unless specified otherwise	Origin	China

CONTENTS

- China Square Steel Quick Acting Watertight Hatch Cover:
- Main Material:
- Main Size List(mm):



China Square Steel Quick Acting Watertight Hatch Cover:



Standard:CB/T3842-2000

The hatch cover is with the spring-balance device and the central clip device, so it is watertight, and can be opened or closed quickly and easily. There are two types, A type is round, B type is square. It is used as the quick entry or exit which has the watertight demand on various ships

The use pressure is 0.2Mpa.

Watertight test requirement: The cover must be closed, and maintain 15 minutes after 0.3Mpa water is put into the test tank.

Main Material:

Cover-Steel

Coaming-Steel

Handwheel-Steel, Stainless Steel or Steel with Galv

Spring-Spring Steel

Main Size List(mm):

Clear Size	Cut Out Size	Coaming Inner Diameter	Cover Outside Diameter	Cover Thickness	Coaming		Center Distance	Weight
					t1	H		
AXA	A1XA1	A2XA2	A3XA3	t	t1	H	B	kgs
600X600	640X640	670X670	720X720	12	1	20	510	310
700X700	740X740	770X770	820X820				560	340
800X800	840X840	870X870	920X920				610	380