

Jinbo Marine

Marine & Offshore Equipment Datasheet

PRODUCT DATASHEET

MARINE EXPANSION JOINT

Stainless Steel Marine Bellows Expansion Joint CB*613-81

ISO9001 Supplier

Class Certificate

Export Supply

It is mainly used in the pipeline of internal combustion engine. As a compensator for heat expansion and contraction of pipeline, it can withstand the vibration caused by thermal expansion stress and pulse in the syst...



Key Highlights

Category	Marine Expansion Joint
Standard	GB
Material	65-1500mm Applicable temperature:≤550°C Flange connection standard DN≤500...
Weight / Size	65-1500mm Applicable temperature:≤550°C Flange connection standard DN≤500...
Certificate	ABS, LR, BV, DNVGL, NK, KR, IRS, RMRS, CCS

We can supply according to your requirement, drawings, class certificate needs, and delivery schedule.



Technical Specifications

Category	Marine Expansion Joint	Model / SKU	Stainless-Steel-Marine-Bellows-Expansion-Joint-CB-613-81
Standard	GB	Material	<p>65-1500mm Applicable temperature:≤550°C Flange connection standard DN≤500mm conform to CB573-65 DN≥500mm conform to GB2506-81 Structure Stainless Steel Marine Bellows Expansion Joint CB*613-81 Main Specifications DN Structure size Flange Bolt d L n D1 D2 d d0 Num</p> <p>Th 65 76 210 10 155 123 12 16 6 M14 80 89 210 10 175 136 12 16 8 M14 100 114 220 6 190 158 12 16 8 M14 125 140 220 6 215 183 12 16 10 M14 150 165 185 3 240 208 14 16 12 M14 175 190 185 3 270 238 14 16 12 M14 200 216 260 3 295 264 14 16 12 M14 360 5 14 16 12 M14 250 268 280 3 385 327 16 18 14 M16 380 5 16 18 14 M16 300 318 280 3 430 386 16 22 14 M20 380 5 16 22 14 M20 350 360 280 3 480 436 16 22 16 M20 380 5 16 22 16 M20 400 410 280 3 530 486 16 22 16 M20 380 5 16 22 16 M20 450 460 280 3 580 536 16 22 18 M20 380 5 16 22 18 M20 500 510 280 3 635 591 16 22 20 M20 380 5 16 22 20 M20 600 610 280 3 755 705 16 26 20 M24 380 5 16 26 20 M24 700 711 280 3 860 810 16 26 24 M24 380 5 16 26 24 M24 800 813 280 3 975 920 16 30 24 M27 380 5 16 30 24 M27 900 914 290 3 1075 1020 18 30 24 M27 390 5 18 30 24 M27 1000 1016 310 3 1175 1120 18 30 28 M27 1100 1116 310 3 1305 1240 18 33 28 M30 1200 1219 310 3 1405 1340 18 33 32 M30 1300 1312 310 3 1520 1450 18 36 32 M33 1400 1412 310 3 1630 1560 20 36 36 M33 1500 1524 315 3 1730 1660 20 36 36 M33</p>



<p>Weight / Size</p> <p>65-1500mm Applicable temperature:≤550°C Flange connection standard DN≤500mm conform to CB573-65 DN≥500mm conform to GB2506-81 Structure Stainless Steel Marine Bellows Expansion Joint CB*613-81 Main Specifications DN Structure size Flange Bolt d L n D1 D2 d d0 Num Th 65 76 210 10 155 123 12 16 6 M14 80 89 210 10 175 136 12 16 8 M14 100 114 220 6 190 158 12 16 8 M14 125 140 220 6 215 183 12 16 10 M14 150 165 185 3 240 208 14 16 12 M14 175 190 185 3 270 238 14 16 12 M14 200 216 260 3 295 264 14 16 12 M14 360 5 14 16 12 M14 250 268 280 3 385 327 16 18 14 M16 380 5 16 18 14 M16 300 318 280 3 430 386 16 22 14 M20 380 5 16 22 14 M20 350 360 280 3 480 436 16 22 16 M20 380 5 16 22 16 M20 400 410 280 3 530 486 16 22 16 M20 380 5 16 22 16 M20 450 460 280 3 580 536 16 22 18 M20 380 5 16 22 18 M20 500 510 280 3 635 591 16 22 20 M20 380 5 16 22 20 M20 600 610 280 3 755 705 16 26 20 M24 380 5 16 26 20 M24 700 711 280 3 860 810 16 26 24 M24 380 5 16 26 24 M24 800 813 280 3 975 920 16 30 24 M27 380 5 16 30 24 M27 900 914 290 3 1075 1020 18 30 24 M27 390 5 18 30 24 M27 1000 1016 310 3 1175 1120 18 30 28 M27 1100 1116 310 3 1305 1240 18 33 28 M30 1200 1219 310 3 1405 1340 18 33 32 M30 1300 1312 310 3 1520 1450 18 36 32 M33 1400 1412 310 3 1630 1560 20 36 36 M33 1500 1524 315 3 1730 1660 20 36 36 M33</p>	<p>Certificate</p> <p>ABS, LR, BV, DNVGL, NK, KR, IRS, RMRS, CCS</p>
<p>Warranty</p> <p>12 Months unless specified otherwise</p>	<p>Origin</p> <p>China</p>



CONTENTS

- China Stainless Steel Marine Bellows Expansion Joint CB*613-81:
- Structure
- Flange connection standard
- Stainless Steel Marine Bellows Expansion Joint CB*613-81 Main Specifications

China Stainless Steel Marine Bellows Expansion Joint CB*613-81:

It is mainly used in the pipeline of internal combustion engine. As a compensator for heat expansion and contraction of pipeline, it can withstand the vibration caused by thermal expansion stress and pulse in the system.

Nominal pressure: 0.05MPa

Nominal diameter: 65-1500mm

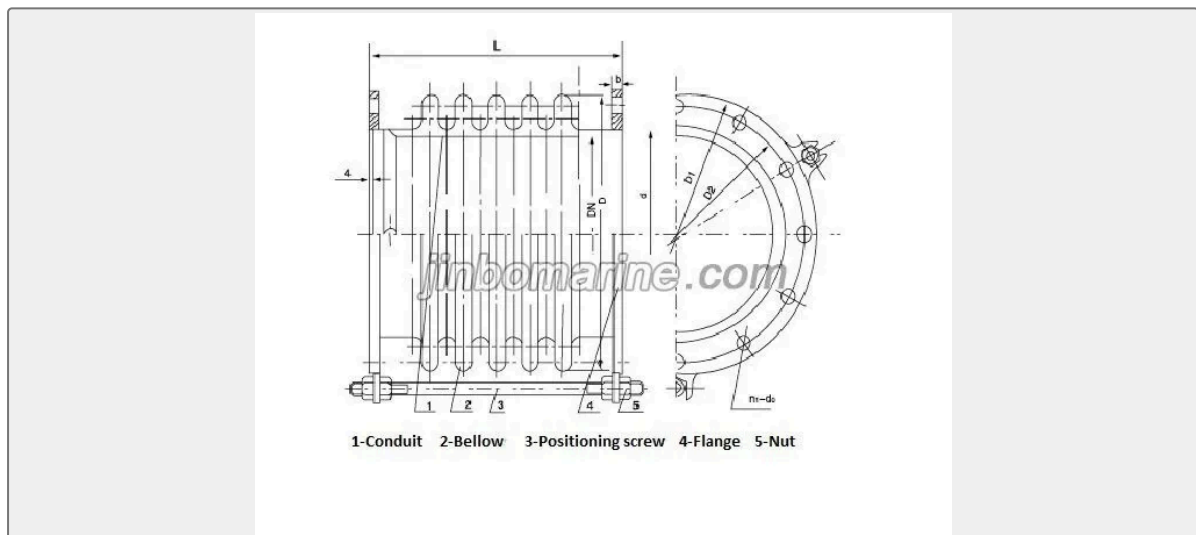
Applicable temperature: $\leq 550^{\circ}\text{C}$

Flange connection standard

DN \leq 500mm conform to CB573-65

DN \geq 500mm conform to GB2506-81

Structure



Stainless Steel Marine Bellows Expansion Joint CB*613-81 Main Specifications

DN	Structure size			Flange				Bolt	
	d	L	n	D1	D2	d	d0	Num	Th
65	76	210	10	155	123	12	16	6	M14
80	89	210	10	175	136	12	16	8	M14
100	114	220	6	190	158	12	16	8	M14
125	140	220	6	215	183	12	16	10	M14
150	165	185	3	240	208	14	16	12	M14



175	190	185	3	270	238	14	16	12	M14
200	216	260	3	295	264	14	16	12	M14
		360	5			14	16	12	M14
250	268	280	3	385	327	16	18	14	M16
		380	5			16	18	14	M16
300	318	280	3	430	386	16	22	14	M20
		380	5			16	22	14	M20
350	360	280	3	480	436	16	22	16	M20
		380	5			16	22	16	M20
400	410	280	3	530	486	16	22	16	M20
		380	5			16	22	16	M20
450	460	280	3	580	536	16	22	18	M20
		380	5			16	22	18	M20
500	510	280	3	635	591	16	22	20	M20
		380	5			16	22	20	M20
600	610	280	3	755	705	16	26	20	M24
		380	5			16	26	20	M24
700	711	280	3	860	810	16	26	24	M24
		380	5			16	26	24	M24
800	813	280	3	975	920	16	30	24	M27
		380	5			16	30	24	M27
900	914	290	3	1075	1020	18	30	24	M27
		390	5			18	30	24	M27
1000	1016	310	3	1175	1120	18	30	28	M27
1100	1116	310	3	1305	1240	18	33	28	M30
1200	1219	310	3	1405	1340	18	33	32	M30
1300	1312	310	3	1520	1450	18	36	32	M33
1400	1412	310	3	1630	1560	20	36	36	M33
1500	1524	315	3	1730	1660	20	36	36	M33