

# Jinbo Marine

Marine & Offshore Equipment Datasheet

PRODUCT DATASHEET

## MARINE EXPANSION JOINT

# Stainless Steel Marine Bellows Expansion Joint CBM1033-81

ISO9001 Supplier

Class Certificate

Export Supply

It is mainly used in the pipeline of internal combustion engine. As a compensator for heat expansion and contraction of pipeline, it can withstand the vibration caused by thermal expansion stress and pulse in the system....



### Key Highlights

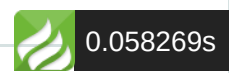
|                      |                                                                              |
|----------------------|------------------------------------------------------------------------------|
| <b>Category</b>      | Marine Expansion Joint                                                       |
| <b>Standard</b>      | JIS                                                                          |
| <b>Material</b>      | ≤550°C Flange connection standard DN≤500mm conform to CBM1033-81(JIS2221-... |
| <b>Weight / Size</b> | ≤550°C Flange connection standard DN≤500mm conform to CBM1033-81(JIS2221-... |
| <b>Certificate</b>   | ABS, LR, BV, DNVGL, NK, KR, IRS, RMRS, CCS                                   |

We can supply according to your requirement, drawings, class certificate needs, and delivery schedule.



**Technical Specifications**

|                 |                        |                    |                                                                                                                                                                                                                                                                                                                                                                                                                                                                                                                                                                                                                                                                                                                                                                                                                                                                                                                                                                                                                                                                                                                                                                                                                                                                                                                                                                                                                                                                                                                                                                      |
|-----------------|------------------------|--------------------|----------------------------------------------------------------------------------------------------------------------------------------------------------------------------------------------------------------------------------------------------------------------------------------------------------------------------------------------------------------------------------------------------------------------------------------------------------------------------------------------------------------------------------------------------------------------------------------------------------------------------------------------------------------------------------------------------------------------------------------------------------------------------------------------------------------------------------------------------------------------------------------------------------------------------------------------------------------------------------------------------------------------------------------------------------------------------------------------------------------------------------------------------------------------------------------------------------------------------------------------------------------------------------------------------------------------------------------------------------------------------------------------------------------------------------------------------------------------------------------------------------------------------------------------------------------------|
| <b>Category</b> | Marine Expansion Joint | <b>Model / SKU</b> | Stainless-Steel-Marine-Bellows-Expansion-Joint-CBM1033-81                                                                                                                                                                                                                                                                                                                                                                                                                                                                                                                                                                                                                                                                                                                                                                                                                                                                                                                                                                                                                                                                                                                                                                                                                                                                                                                                                                                                                                                                                                            |
| <b>Standard</b> | JIS                    | <b>Material</b>    | ≤550°C Flange connection<br>standard DN≤500mm conform to<br>CBM1033-81(JIS2221-1974)<br>DN≥500mm conform to JISF7805-<br>1976 Structure Stainless Steel<br>Marine Bellows Expansion Joint<br>CBM1033-81 Main Specifications<br>DN Structure size Flange Bolt d L<br>n D1 D2 d d0 Num Th 65 76 210<br>10 155 130 12 15 4 M12 80 89<br>210 10 180 145 12 19 4 M16 100<br>114 220 6 200 165 12 19 8 M16<br>125 140 220 6 235 200 12 19 8<br>M16 150 165 185 3 265 230 14 19<br>8 M16 175 190 185 3 300 260 14<br>19 8 M16 200 216 260 3 320 280<br>14 19 8 M16 360 5 320 280 14 19<br>8 M16 250 268 280 3 385 345 16<br>19 12 M16 380 5 385 345 16 19<br>12 M16 300 318 280 3 430 390 16<br>23 12 M20 380 5 430 390 16 23<br>12 M20 350 360 280 3 480 435 16<br>23 12 M20 380 5 480 435 16 23<br>12 M20 400 410 280 3 540 495 16<br>23 16 M20 380 5 540 495 16 23<br>16 M20 450 460 280 3 605 555 16<br>23 16 M20 380 5 605 555 16 23<br>16 M20 500 510 280 3 655 605 16<br>23 16 M20 380 5 655 605 16 23<br>16 M20 600 610 280 3 710 670 16<br>23 16 M20 380 5 710 670 16 23<br>16 M20 700 711 280 3 815 775 16<br>23 16 M20 380 5 815 775 16 23<br>16 M20 800 813 280 3 915 875 16<br>23 16 M20 380 5 915 875 16 23<br>20 M20 900 914 290 3 1025 980<br>18 25 20 M22 390 5 1025 980 18<br>25 20 M22 1000 1016 310 3 1125<br>1080 18 25 20 M22 1100 1116 310<br>3 1225 1180 18 25 24 M22 1200<br>1219 310 3 1325 1280 18 25 24<br>M22 1300 1312 310 3 1425 1380<br>18 25 28 M22 1400 1412 310 3<br>1525 1480 20 25 28 M22 1500<br>1524 315 3 1645 1590 20 27 28<br>M24 |



|                                                                                                                                                                                                                                                                                                                                                                                                                                                                                                                                                                                                                                                                                                                                                                                                                                                                                                                                                                                                                                                                                                                                                                                                                                                                                                                                                                                                                                                                                                                                                                                                                                                                                                                                                                                                                                                                                                                                                                                                                                                                                                                                                                                                                                                                                                                                                                                                                                                   |                                                                                                  |
|---------------------------------------------------------------------------------------------------------------------------------------------------------------------------------------------------------------------------------------------------------------------------------------------------------------------------------------------------------------------------------------------------------------------------------------------------------------------------------------------------------------------------------------------------------------------------------------------------------------------------------------------------------------------------------------------------------------------------------------------------------------------------------------------------------------------------------------------------------------------------------------------------------------------------------------------------------------------------------------------------------------------------------------------------------------------------------------------------------------------------------------------------------------------------------------------------------------------------------------------------------------------------------------------------------------------------------------------------------------------------------------------------------------------------------------------------------------------------------------------------------------------------------------------------------------------------------------------------------------------------------------------------------------------------------------------------------------------------------------------------------------------------------------------------------------------------------------------------------------------------------------------------------------------------------------------------------------------------------------------------------------------------------------------------------------------------------------------------------------------------------------------------------------------------------------------------------------------------------------------------------------------------------------------------------------------------------------------------------------------------------------------------------------------------------------------------|--------------------------------------------------------------------------------------------------|
| <p><b>Weight / Size</b></p> <p>≤550°C Flange connection<br/>                 standard DN≤500mm conform to<br/>                 CBM1033-81(JIS2221-1974)<br/>                 DN≥500mm conform to JISF7805-<br/>                 1976 Structure Stainless Steel<br/>                 Marine Bellows Expansion Joint<br/>                 CBM1033-81 Main Specifications<br/>                 DN Structure size Flange Bolt d L<br/>                 n D1 D2 d d0 Num Th 65 76 210<br/>                 10 155 130 12 15 4 M12 80 89<br/>                 210 10 180 145 12 19 4 M16 100<br/>                 114 220 6 200 165 12 19 8 M16<br/>                 125 140 220 6 235 200 12 19 8<br/>                 M16 150 165 185 3 265 230 14 19<br/>                 8 M16 175 190 185 3 300 260 14<br/>                 19 8 M16 200 216 260 3 320 280<br/>                 14 19 8 M16 360 5 320 280 14 19<br/>                 8 M16 250 268 280 3 385 345 16<br/>                 19 12 M16 380 5 385 345 16 19<br/>                 12 M16 300 318 280 3 430 390 16<br/>                 23 12 M20 380 5 430 390 16 23<br/>                 12 M20 350 360 280 3 480 435 16<br/>                 23 12 M20 380 5 480 435 16 23<br/>                 12 M20 400 410 280 3 540 495 16<br/>                 23 16 M20 380 5 540 495 16 23<br/>                 16 M20 450 460 280 3 605 555 16<br/>                 23 16 M20 380 5 605 555 16 23<br/>                 16 M20 500 510 280 3 655 605 16<br/>                 23 16 M20 380 5 655 605 16 23<br/>                 16 M20 600 610 280 3 710 670 16<br/>                 23 16 M20 380 5 710 670 16 23<br/>                 16 M20 700 711 280 3 815 775 16<br/>                 23 16 M20 380 5 815 775 16 23<br/>                 16 M20 800 813 280 3 915 875 16<br/>                 23 16 M20 380 5 915 875 16 23<br/>                 20 M20 900 914 290 3 1025 980<br/>                 18 25 20 M22 390 5 1025 980 18<br/>                 25 20 M22 1000 1016 310 3 1125<br/>                 1080 18 25 20 M22 1100 1116 310<br/>                 3 1225 1180 18 25 24 M22 1200<br/>                 1219 310 3 1325 1280 18 25 24<br/>                 M22 1300 1312 310 3 1425 1380<br/>                 18 25 28 M22 1400 1412 310 3<br/>                 1525 1480 20 25 28 M22 1500<br/>                 1524 315 3 1645 1590 20 27 28<br/>                 M24</p> | <p><b>Certificate</b></p> <p>ABS, LR, BV, DNVGL, NK, KR,<br/>                 IRS, RMRS, CCS</p> |
| <p><b>Warranty</b></p> <p>12 Months unless specified<br/>                 otherwise</p>                                                                                                                                                                                                                                                                                                                                                                                                                                                                                                                                                                                                                                                                                                                                                                                                                                                                                                                                                                                                                                                                                                                                                                                                                                                                                                                                                                                                                                                                                                                                                                                                                                                                                                                                                                                                                                                                                                                                                                                                                                                                                                                                                                                                                                                                                                                                                           | <p><b>Origin</b></p> <p>China</p>                                                                |



**CONTENTS**

- China Stainless Steel Marine Bellows Expansion Joint CBM1033-81:
  - Structure
  - Flange connection standard
  - Stainless Steel Marine Bellows Expansion Joint CBM1033-81 Main Specifications

## China Stainless Steel Marine Bellows Expansion Joint CBM1033-81:

It is mainly used in the pipeline of internal combustion engine. As a compensator for heat expansion and contraction of pipeline, it can withstand the vibration caused by thermal expansion stress and pulse in the system.

Nominal pressure: 0.05MPa

Nominal diameter: 65-1500mm

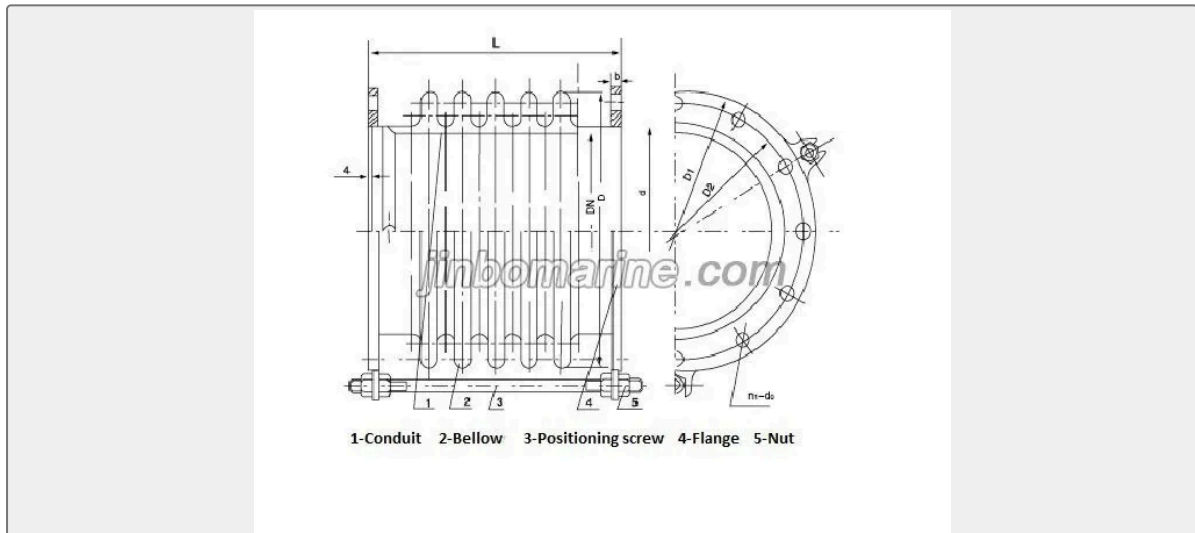
Applicable temperature:  $\leq 550^{\circ}\text{C}$

### Flange connection standard

DN $\leq$ 500mm conform to CBM1033-81(JIS2221-1974)

DN $\geq$ 500mm conform to JISF7805-1976

### Structure



## Stainless Steel Marine Bellows Expansion Joint CBM1033-81 Main Specifications

| DN  | Structure size |     |    | Flange |     |    |    | Bolt |     |
|-----|----------------|-----|----|--------|-----|----|----|------|-----|
|     | d              | L   | n  | D1     | D2  | d  | d0 | Num  | Th  |
| 65  | 76             | 210 | 10 | 155    | 130 | 12 | 15 | 4    | M12 |
| 80  | 89             | 210 | 10 | 180    | 145 | 12 | 19 | 4    | M16 |
| 100 | 114            | 220 | 6  | 200    | 165 | 12 | 19 | 8    | M16 |
| 125 | 140            | 220 | 6  | 235    | 200 | 12 | 19 | 8    | M16 |
| 150 | 165            | 185 | 3  | 265    | 230 | 14 | 19 | 8    | M16 |
| 175 | 190            | 185 | 3  | 300    | 260 | 14 | 19 | 8    | M16 |



0.058269s

|      |      |     |   |      |      |    |    |    |     |
|------|------|-----|---|------|------|----|----|----|-----|
| 200  | 216  | 260 | 3 | 320  | 280  | 14 | 19 | 8  | M16 |
|      |      | 360 | 5 | 320  | 280  | 14 | 19 | 8  | M16 |
| 250  | 268  | 280 | 3 | 385  | 345  | 16 | 19 | 12 | M16 |
|      |      | 380 | 5 | 385  | 345  | 16 | 19 | 12 | M16 |
| 300  | 318  | 280 | 3 | 430  | 390  | 16 | 23 | 12 | M20 |
|      |      | 380 | 5 | 430  | 390  | 16 | 23 | 12 | M20 |
| 350  | 360  | 280 | 3 | 480  | 435  | 16 | 23 | 12 | M20 |
|      |      | 380 | 5 | 480  | 435  | 16 | 23 | 12 | M20 |
| 400  | 410  | 280 | 3 | 540  | 495  | 16 | 23 | 16 | M20 |
|      |      | 380 | 5 | 540  | 495  | 16 | 23 | 16 | M20 |
| 450  | 460  | 280 | 3 | 605  | 555  | 16 | 23 | 16 | M20 |
|      |      | 380 | 5 | 605  | 555  | 16 | 23 | 16 | M20 |
| 500  | 510  | 280 | 3 | 655  | 605  | 16 | 23 | 16 | M20 |
|      |      | 380 | 5 | 655  | 605  | 16 | 23 | 16 | M20 |
| 600  | 610  | 280 | 3 | 710  | 670  | 16 | 23 | 16 | M20 |
|      |      | 380 | 5 | 710  | 670  | 16 | 23 | 16 | M20 |
| 700  | 711  | 280 | 3 | 815  | 775  | 16 | 23 | 16 | M20 |
|      |      | 380 | 5 | 815  | 775  | 16 | 23 | 16 | M20 |
| 800  | 813  | 280 | 3 | 915  | 875  | 16 | 23 | 16 | M20 |
|      |      | 380 | 5 | 915  | 875  | 16 | 23 | 20 | M20 |
| 900  | 914  | 290 | 3 | 1025 | 980  | 18 | 25 | 20 | M22 |
|      |      | 390 | 5 | 1025 | 980  | 18 | 25 | 20 | M22 |
| 1000 | 1016 | 310 | 3 | 1125 | 1080 | 18 | 25 | 20 | M22 |
| 1100 | 1116 | 310 | 3 | 1225 | 1180 | 18 | 25 | 24 | M22 |
| 1200 | 1219 | 310 | 3 | 1325 | 1280 | 18 | 25 | 24 | M22 |
| 1300 | 1312 | 310 | 3 | 1425 | 1380 | 18 | 25 | 28 | M22 |
| 1400 | 1412 | 310 | 3 | 1525 | 1480 | 20 | 25 | 28 | M22 |
| 1500 | 1524 | 315 | 3 | 1645 | 1590 | 20 | 27 | 28 | M24 |