

Jinbo Marine

Marine & Offshore Equipment Datasheet

PRODUCT DATASHEET

MARINE EXPANSION JOINT

Stainless Steel Marine Bellows Expansion Joint CBM33-81

ISO9001 Supplier

Class Certificate

Export Supply

It is mainly used in the pipeline of internal combustion engine. As a compensator for heat expansion and contraction of pipeline, it can withstand the vibration caused by thermal expansion stress and pulse in the system....



Key Highlights

Category	Marine Expansion Joint
Standard	ISO
Material	≤550°C Flange connection standard: CBM33-81(ISO2084-1974) Structure Stain...
Weight / Size	≤550°C Flange connection standard: CBM33-81(ISO2084-1974) Structure Stain...
Certificate	ABS, LR, BV, DNVGL, NK, KR, IRS, RMRS, CCS

We can supply according to your requirement, drawings, class certificate needs, and delivery schedule.



Technical Specifications

Category	Marine Expansion Joint	Model / SKU	Stainless-Steel-Marine-Bellows-Expansion-Joint-CBM33-81
Standard	ISO	Material	<p>≤550°C Flange connection standard: CBM33-81(ISO2084-1974) Structure Stainless Steel Marine Bellows Expansion Joint CBM33-81 Main Specifications DN Structure size Flange Bolt d L n D1 D2 d d0 Num Th 65 76 210 10 160 130 12 14 4 M12 80 89 210 10 190 150 12 18 4 M16 100 114 220 6 210 170 12 18 4 M16 125 140 220 6 240 200 12 18 8 M16 150 165 185 3 265 225 14 18 8 M16 175 190 185 3 295 255 14 18 8 M16 200 216 260 3 320 280 14 18 8 M16 360 5 320 280 14 18 8 M16 250 268 280 3 375 335 16 18 12 M16 380 5 375 335 16 18 12 M16 300 318 280 3 440 395 16 22 12 M20 380 5 440 395 16 22 12 M20 350 360 280 3 490 445 16 22 12 M20 380 5 490 445 16 22 12 M20 400 410 280 3 540 495 16 22 16 M20 380 5 540 495 16 22 16 M20 450 460 280 3 595 550 16 22 16 M20 380 5 595 550 16 22 16 M20 500 510 280 3 645 600 16 22 20 M20 380 5 645 600 16 22 20 M20 600 610 280 3 755 705 16 26 20 M24 380 5 755 705 16 26 20 M24 700 711 280 3 860 810 16 26 24 M24 380 5 860 810 16 26 24 M24 800 813 280 3 975 920 16 30 24 M27 380 5 975 920 16 30 24 M27 900 914 290 3 1075 1020 18 30 24 M27 390 5 1075 1020 18 30 24 M27 1000 1016 310 3 1175 1120 18 30 28 M27 1100 1116 310 3 1275 1220 18 30 28 M27 1200 1219 310 3 1375 1320 18 30 32 M27 1300 1312 310 3 1475 1420 18 30 32 M27 1400 1412 310 3 1575 1520 20 30 36 M27 1500 1524 315 3 1690 1630 20 30 36 M27</p>



<p>Weight / Size</p> <p>≤550°C Flange connection standard: CBM33-81(ISO2084-1974) Structure Stainless Steel Marine Bellows Expansion Joint CBM33-81 Main Specifications DN Structure size Flange Bolt d L n D1 D2 d d0 Num Th 65 76 210 10 160 130 12 14 4 M12 80 89 210 10 190 150 12 18 4 M16 100 114 220 6 210 170 12 18 4 M16 125 140 220 6 240 200 12 18 8 M16 150 165 185 3 265 225 14 18 8 M16 175 190 185 3 295 255 14 18 8 M16 200 216 260 3 320 280 14 18 8 M16 360 5 320 280 14 18 8 M16 250 268 280 3 375 335 16 18 12 M16 380 5 375 335 16 18 12 M16 300 318 280 3 440 395 16 22 12 M20 380 5 440 395 16 22 12 M20 350 360 280 3 490 445 16 22 12 M20 380 5 490 445 16 22 12 M20 400 410 280 3 540 495 16 22 16 M20 380 5 540 495 16 22 16 M20 450 460 280 3 595 550 16 22 16 M20 380 5 595 550 16 22 16 M20 500 510 280 3 645 600 16 22 20 M20 380 5 645 600 16 22 20 M20 600 610 280 3 755 705 16 26 20 M24 380 5 755 705 16 26 20 M24 700 711 280 3 860 810 16 26 24 M24 380 5 860 810 16 26 24 M24 800 813 280 3 975 920 16 30 24 M27 380 5 975 920 16 30 24 M27 900 914 290 3 1075 1020 18 30 24 M27 390 5 1075 1020 18 30 24 M27 1000 1016 310 3 1175 1120 18 30 28 M27 1100 1116 310 3 1275 1220 18 30 28 M27 1200 1219 310 3 1375 1320 18 30 32 M27 1300 1312 310 3 1475 1420 18 30 32 M27 1400 1412 310 3 1575 1520 20 30 36 M27 1500 1524 315 3 1690 1630 20 30 36 M27</p>	<p>Certificate</p> <p>ABS, LR, BV, DNVGL, NK, KR, IRS, RMRS, CCS</p>
<p>Warranty</p> <p>12 Months unless specified otherwise</p>	<p>Origin</p> <p>China</p>



CONTENTS

- China Stainless Steel Marine Bellows Expansion Joint CBM33-81:
 - Structure
- Stainless Steel Marine Bellows Expansion Joint CBM33-81 Main Specifications

China Stainless Steel Marine Bellows Expansion Joint CBM33-81:

It is mainly used in the pipeline of internal combustion engine. As a compensator for heat expansion and contraction of pipeline, it can withstand the vibration caused by thermal expansion stress and pulse in the system.

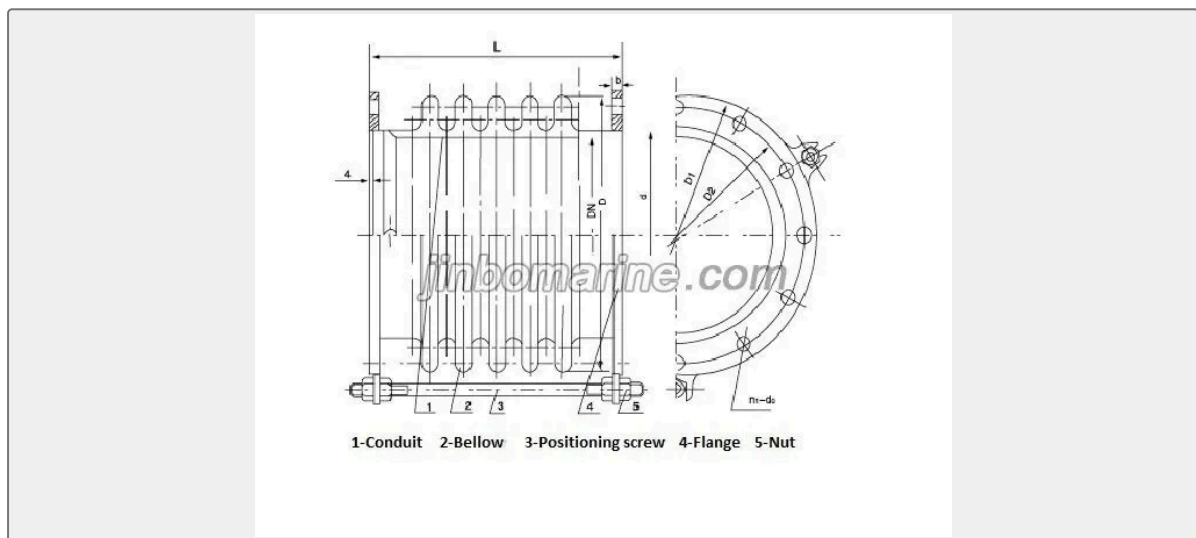
Nominal pressure: 0.05MPa

Nominal diameter: 65-1500mm

Applicable temperature: $\leq 550^{\circ}\text{C}$

Flange connection standard: CBM33-81(ISO2084-1974)

Structure



Stainless Steel Marine Bellows Expansion Joint CBM33-81 Main Specifications

DN	Structure size			Flange				Bolt	
	d	L	n	D1	D2	d	d0	Num	Th
65	76	210	10	160	130	12	14	4	M12
80	89	210	10	190	150	12	18	4	M16
100	114	220	6	210	170	12	18	4	M16
125	140	220	6	240	200	12	18	8	M16
150	165	185	3	265	225	14	18	8	M16
175	190	185	3	295	255	14	18	8	M16
200	216	260	3	320	280	14	18	8	M16
		360	5	320	280	14	18	8	M16

250	268	280	3	375	335	16	18	12	M16
		380	5	375	335	16	18	12	M16
300	318	280	3	440	395	16	22	12	M20
		380	5	440	395	16	22	12	M20
350	360	280	3	490	445	16	22	12	M20
		380	5	490	445	16	22	12	M20
400	410	280	3	540	495	16	22	16	M20
		380	5	540	495	16	22	16	M20
450	460	280	3	595	550	16	22	16	M20
		380	5	595	550	16	22	16	M20
500	510	280	3	645	600	16	22	20	M20
		380	5	645	600	16	22	20	M20
600	610	280	3	755	705	16	26	20	M24
		380	5	755	705	16	26	20	M24
700	711	280	3	860	810	16	26	24	M24
		380	5	860	810	16	26	24	M24
800	813	280	3	975	920	16	30	24	M27
		380	5	975	920	16	30	24	M27
900	914	290	3	1075	1020	18	30	24	M27
		390	5	1075	1020	18	30	24	M27
1000	1016	310	3	1175	1120	18	30	28	M27
1100	1116	310	3	1275	1220	18	30	28	M27
1200	1219	310	3	1375	1320	18	30	32	M27
1300	1312	310	3	1475	1420	18	30	32	M27
1400	1412	310	3	1575	1520	20	30	36	M27
1500	1524	315	3	1690	1630	20	30	36	M27