

Jinbo Marine

Marine & Offshore Equipment Datasheet

PRODUCT DATASHEET

PV VALVE

Stainless Steel Pressure/Vacuum valve

Marine Pressure/Vacuum Valve for cargo oil tank (P/V valve forshort) is also called as high-velocity relief valve, high velocity P/V valve, generally used in the relief system of the oil tanker and chemical tanker, accor...

ISO9001 Supplier

Class Certificate

Export Supply



Key Highlights

Category	PV VALVE
Standard	JIS
Material	Stainless Steel
Weight / Size	Parts Quantity Material Remarks 1 P-valve base 1 Stainless Steel Stainle...
Certificate	ABS, BV, CCS , RMRS

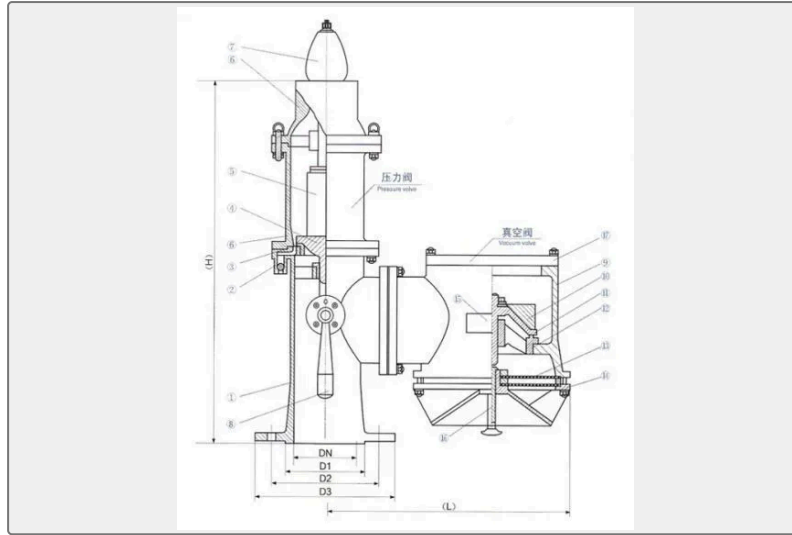
We can supply according to your requirement, drawings, class certificate needs, and delivery schedule.

Technical Specifications			
Category	PV VALVE	Model / SKU	Stainless-Steel-Pressure-Vacuum-valve
Standard	JIS	Material	Stainless Steel
Weight / Size	Parts Quantity Material Remarks 1 P-valve base 1 Stainless Steel 2 Stainless Steel 2 Water nozzle 1 3 Stainless Steel 3 Stainless Steel 4 P-valve seat 1 Stainless Steel 5 Stainless Steel 4 P-valve disc 1 6 Stainless Steel 5 Stainless Steel 7 Matching block 1 Stainless Steel 8 Stainless Steel 6 P-valve body (A) (B) 1 Stainless Steel Stainless 9 Steel 7 Conducting machine 1 8 Stainless Steel 8 Stainless Steel 9 Handle 1 Stainless Steel Stainless 10 Steel 9 V-valve body 1 Stainless 11 Steel Stainless Steel 10 Matching 12 block 1 Stainless Steel Stainless 13 Steel 11 V-valve disc 1 Stainless 14 Steel Stainless Steel 12 V-valve 15 seat 1 Stainless Steel Stainless 16 Steel 13 Flame screen 2 Stainless 17 Steel Stainless Steel 14 Flame 18 screen gland 1 Stainless Steel 19 Stainless Steel 15 Nameplate 1 20 Stainless Steel Stainless Steel 16 21 Climbing pole 1 Stainless Steel 22 Stainless Steel 17 Gas-freeing 23 cover or V-valve cover 1 Stainless 24 Steel Stainless Steel Main Size List(mm):	Certificate	ABS, BV, CCS , RMRS
Warranty	12 Months unless specified otherwise	Origin	China

CONTENTS

- China Stainless Steel Pressure/Vacuum valve:
- Main Parts & Material:
- Certificate:
- Specification:
- Main Size List(mm):

China Stainless Steel Pressure/Vacuum valve:



Marine Pressure/Vacuum Valve for cargo oil tank (P/V valve forshort) is also called as high-velocity relief valve, high velocity P/V valve, generally used in the relief system of the oil tanker and chemical tanker, according to the current regulations IMO and IBC. The purpose of the high velocity valve is to provide automatic control of pressure differentials during liquid cargo ship loading, voyage, ballasting and de-ballasting without any manual operation, also, it provides auto-protection against fire and explosions on deck. Additionally in the event that the inert gas system can not supply gas promptly, the vacuum valve can auto open to protect the tank against excessive vacuum when de-ballasting on dock. Normal, when the pressure risen in tank because of temperature or loading, the pressure valve open automatically and vent gas. When the pressure of tank come to pressure differentials, the vacuum valve or pressure valve all can be automatic resetted. If an ignition occurs outside the tank space, the flames will be quenched in the flame trap.

Specification:

Material: SUS304, SUS316L

Flange Standard: GB, JIS, DIN, ANSI

Opening Pressure of Vacuum Valve: -3.5kPa

Opening Pressure of Pressure Valve on the oil tank is 14kPa, on the chemical tank is 20kPa.

The opening pressure of the pressure may be different, but the differences of opening pressure and flow range is inapparent if the pressure valves have the same diameter.

* When the liquid cargo ships need to load the goods of the propylene oxide class, with the stainless steel high-velocity relief valve. The valve manufacturing materials for 304, 304L, 316L quality stainless steel, pressure valve opening pressure is generally set at 60KPa vacuum valve.

Main Parts & Material:

Serial No.	Parts	Quantity	Material	Remarks
1	P-valve base	1	Stainless Steel	Stainless Steel
2	Water nozzle	1	Stainless Steel	Stainless Steel
3	P-valve seat	1	Stainless Steel	Stainless Steel
4	P-valve disc	1	Stainless Steel	Stainless Steel

5	Matching block	1	Stainless Steel	Stainless Steel
6	P-valve body (A) (B)	1	Stainless Steel	Stainless Steel
7	Conducting machine	1	Stainless Steel	Stainless Steel
8	Handle	1	Stainless Steel	Stainless Steel
9	V-valve body	1	Stainless Steel	Stainless Steel
10	Matching block	1	Stainless Steel	Stainless Steel
11	V-valve disc	1	Stainless Steel	Stainless Steel
12	V-valve seat	1	Stainless Steel	Stainless Steel
13	Flame screen	2	Stainless Steel	Stainless Steel
14	Flame screen gland	1	Stainless Steel	Stainless Steel
15	Nameplate	1	Stainless Steel	Stainless Steel
16	Climbing pole	1	Stainless Steel	Stainless Steel
17	Gas-freeing cover or V-valve cover	1	Stainless Steel	Stainless Steel

Main Size List(mm):

DN	D2	D1	D	L	H	Assembly hole
250	320	350	395	460	860	12xØ22
200	268	295	340	455	850	8xØ18
150	202	225	265	385	710	8xØ18
125	178	200	240	380	665	8xØ18
100	148	170	210	285	565	4xØ18
80	128	150	190	285	535	4xØ18
65	110	130	160	255	485	4xØ14
50	90	110	140	255	485	4xØ14

*The flange size in the list as per GB2501.

Certificate:

CCS, BV, ABS, RMRS type approval certificate and product certificate