

Jinbo Marine

Marine & Offshore Equipment Datasheet

PRODUCT DATASHEET

HIGH HOLDING POWER ANCHOR

Stato Anchor

Anchor Weight A B C D 3000 129 109 72 1 3/4 ...

ISO9001 Supplier

Class Certificate

Export Supply



Key Highlights

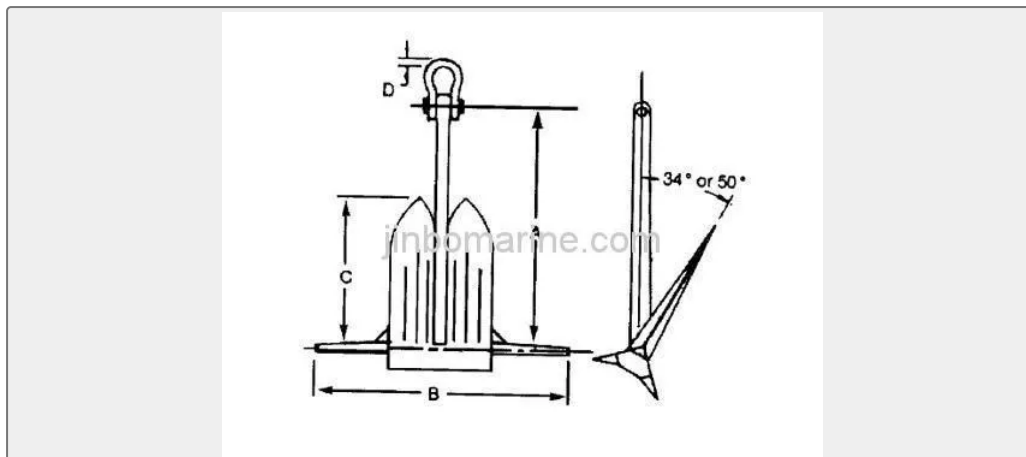
Category	High Holding Power Anchor
Material	Casting Steel
Weight / Size	Anchor Weight A B C D 3000 129 109 72 1 3/4 6000 144 143 92 2 1/4 9000 1...
Certificate	ABS, LR, BV, DNVGL, NK, KR, IRS, RMRS, CCS

We can supply according to your requirement, drawings, class certificate needs, and delivery schedule.

Technical Specifications

Category	High Holding Power Anchor	Model / SKU	Stato-Anchor
Material	Casting Steel	Weight / Size	Anchor Weight A B C D 3000 129 109 72 1 3/4 6000 144 143 92 2 1/4 9000 160 170 100 2 3/4 12000 186 197 113 3 15000 204 224 126 3 1/2 20000 210 230 129 3 3/4 25000 226 246 137 4 30000 235 257 145 5 35000 248 271 153 5 1/4 40000 258 283 160 5 1/2 45000 269 295 166 5 3/4 50000 277 303 171 6 Specification are in pounds and inches
Certificate	ABS, LR, BV, DNVGL, NK, KR, IRS, RMRS, CCS	Warranty	12 Months unless specified otherwise
Origin	China		

China Stato Anchor:



Anchor Weight	A	B	C	D
3000	129	109	72	1 3/4
6000	144	143	92	2 1/4
9000	160	170	100	2 3/4
12000	186	197	113	3
15000	204	224	126	3 1/2
20000	210	230	129	3 3/4
25000	226	246	137	4
30000	235	257	145	5
35000	248	271	153	5 1/4
40000	258	283	160	5 1/2
45000	269	295	166	5 3/4
50000	277	303	171	6

Specification are in pounds and inches