

Jinbo Marine

Marine & Offshore Equipment Datasheet

PRODUCT DATASHEET

MARINE WINDOW

Steel Fixed Rectangular Window for Wheelhouse with Electrically Heating Glass

ISO9001 Supplier

Class Certificate

Export Supply

Standard: CB/T3226-1995 It is installed in the wheel houses, bridges, enclosed spaces which is used for observation and operation of various types of ships and marine structures. The shape can be rectangular,...



Key Highlights

Category	Marine Window
Standard	ISO
Material	Carbon Steel
Weight / Size	1.Types of non-opening rectangular windows for wheel house Type Window f...
Certificate	CCS, BV, ABS, GL, LR, DNV, NK,RINA, KR,IRS

We can supply according to your requirement, drawings, class certificate needs, and delivery schedule.



Technical Specifications

Category	Marine Window	Model / SKU	Steel-Fixed-Rectangular-Window-for-Wheelhouse-with-Electrically-Heating-Glass
Standard	ISO	Material	Carbon Steel



Weight / Size

1.Types of non-opening rectangular windows for wheel house Type Window frame type Name Material of window frame A
 BH Bolted fixed rectangular window with an electric heated glass pane Aluminum Alloy BN Bolted fixed rectangular window with a toughened glass pane B
 WH Welded fixed rectangular window with an electric heated glass pane Carbon Steel WN Welded fixed rectangular window with a toughened glass pane

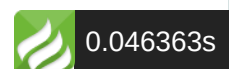
2.Parameters of fixed rectangular windows for wheel house Type Nominal Size Frame Size of opening Glass Thickness Weight (kgs) WXH W1XH1 W2XH2 W3XH3 r BH BN BH BN A

800X630 848X678 930X760
 852x682 126 12 15 25.5 25.9
 800X710 848X758 930X840
 852x762 12 15 28.1 28.7 900X630
 948X678 1030X760 952x682 12
 17 28.2 30.0 900X710 948X758
 1030X840 952x762 12 17 30.9
 32.9 900X800 948X848 1030X930
 952x852 12 17 33.9 36.1
 1200X630 1248X378 1330X760
 1252x682 15 20 41.6 44.0
 1200X710 1248X758 1330X840
 1252x762 15 20 45.9 48.6
 1200X800 1248X848 1330X930
 1252x852 15 20 50.6 53.6
 1500X710 1548X758 1630X840
 1552x762 15 20 56.1 59.4
 1500X800 1548X848 1630X930
 1552x852 15 20 61.2 64.9
 1800X710 1848X758 1930X840
 1852x762 15 20 66.3 70.3
 1800X800 1848X848 1930X930
 1852x852 15 20 72.4 76.8
 1800X900 1848X948 1930X1030
 1852x952 15 20 77.5 82.5 Type
 Nominal Size Frame Size of opening Glass Thickness Weight (kgs) WXH W1XH1 W2XH2 W3XH3 r WH WN WH WN B

800X630 848X678 930X760
 852x682 126 12 15 41.3 41.8
 800X710 848X758 930X840

Certificate

CCS, BV, ABS, GL, LR, DNV, NK,RINA, KR,IRS

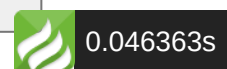
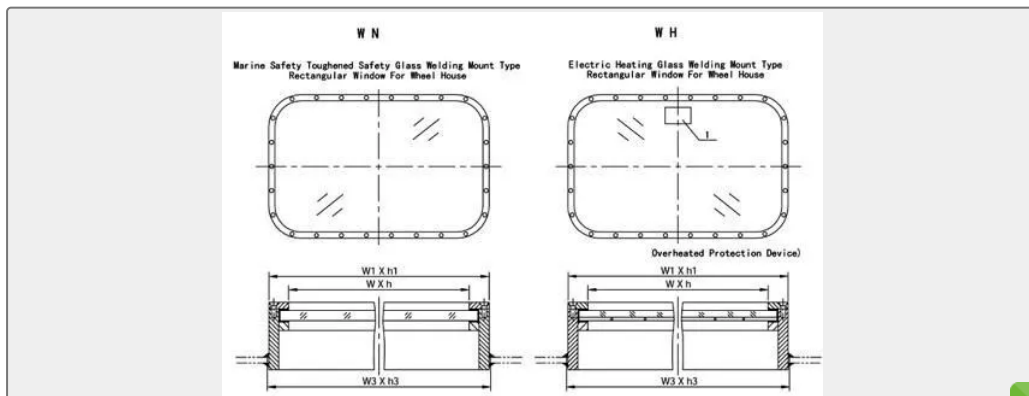


852x762 12 15 44.2 44.8 900X630
 948X678 1030X760 952x682 12
 17 45.1 46.9 900X710 948X758
 1030X840 952x762 12 17 48.5
 50.5 900X800 948X848 1030X930
 952x852 12 17 52.4 54.6
 1200X630 1248X378 1330X760
 1252x682 15 20 60.9 63.3
 1200X710 1248X758 1330X840
 1252x762 15 20 66.6 69.2
 1200X800 1248X848 1330X930
 1252x852 15 20 72.2 75.2
 1500X710 1548X758 1630X840
 1552x762 15 20 79.8 83.1
 1500X800 1548X848 1630X930
 1552x852 15 20 86.4 90.1
 1800X710 1848X758 1930X840
 1852x762 15 20 93.1 97.1
 1800X800 1848X848 1930X930
 1852x852 15 20 100.4 104.8
 1800X900 1848X948 1930X1030
 1852x952 15 20 108.6 113.6 *The
 size is in the list is just for
 reference, it is can be
 customerized according to the
 actual situation of the vessel.

Warranty	12 Months unless specified otherwise	Origin	China
-----------------	--------------------------------------	---------------	-------

CONTENTS	<ul style="list-style-type: none"> China Steel Fixed Rectangular Window for Wheelhouse with Electrically Heating Glass: 2.Parameters of fixed rectangular windows for wheel house 	<ul style="list-style-type: none"> 1.Types of non-opening rectangular windows for wheel house 3.Mounting of the heated glass pane fro fixed rectangular window for wheel house should conform to the requirements of ISO3434, power loading and parameters necessary for the glass pane as below.
-----------------	---	---

China Steel Fixed Rectangular Window for Wheelhouse with Electrically Heating Glass:



Standard: CB/T3226-1995

It is installed in the wheel houses, bridges, enclosed spaces which is used for observation and operation of various types of ships and marine structures.

The shape can be rectangular, parallelogram or trapezoidal .

1.Types of non-opening rectangular windows for wheel house

Type	Window frame type	Name	Material of window frame
A	BH	Bolted fixed rectangular window with an electric heated glass pane	Aluminum Alloy
	BN	Bolted fixed rectangular window with a toughened glass pane	
B	WH	Welded fixed rectangular window with an electric heated glass pane	Carbon Steel
	WN	Welded fixed rectangular window with a toughened glass pane	

2.Parameters of fixed rectangular windows for wheel house

Type	Nominal Size	Frame		Size of opening		Glass Thickness		Weight (kgs)	
	WXH	W1XH1	W2XH2	W3XH3	r	BH	BN	BH	BN

A	800X630	848X678	930X760	852x682	126	12	15	25.5	25.9
	800X710	848X758	930X840	852x762		12	15	28.1	28.7
	900X630	948X678	1030X760	952x682		12	17	28.2	30.0
	900X710	948X758	1030X840	952x762		12	17	30.9	32.9
	900X800	948X848	1030X930	952x852		12	17	33.9	36.1
	1200X630	1248X378	1330X760	1252x682		15	20	41.6	44.0
	1200X710	1248X758	1330X840	1252x762		15	20	45.9	48.6
	1200X800	1248X848	1330X930	1252x852		15	20	50.6	53.6
	1500X710	1548X758	1630X840	1552x762		15	20	56.1	59.4
	1500X800	1548X848	1630X930	1552x852		15	20	61.2	64.9
	1800X710	1848X758	1930X840	1852x762		15	20	66.3	70.3
	1800X800	1848X848	1930X930	1852x852		15	20	72.4	76.8
	1800X900	1848X948	1930X1030	1852x952		15	20	77.5	82.5
Type	Nominal Size	Frame		Size of opening		Glass Thickness		Weight (kgs)	
	WXH	W1XH1	W2XH2	W3XH3	r	WH	WN	WH	WN

B	800X630	848X678	930X760	852x682	126	12	15	41.3	41.8
	800X710	848X758	930X840	852x762		12	15	44.2	44.8
	900X630	948X678	1030X760	952x682		12	17	45.1	46.9
	900X710	948X758	1030X840	952x762		12	17	48.5	50.5
	900X800	948X848	1030X930	952x852		12	17	52.4	54.6
	1200X630	1248X378	1330X760	1252x682		15	20	60.9	63.3
	1200X710	1248X758	1330X840	1252x762		15	20	66.6	69.2
	1200X800	1248X848	1330X930	1252x852		15	20	72.2	75.2
	1500X710	1548X758	1630X840	1552x762		15	20	79.8	83.1
	1500X800	1548X848	1630X930	1552x852		15	20	86.4	90.1
	1800X710	1848X758	1930X840	1852x762		15	20	93.1	97.1
	1800X800	1848X848	1930X930	1852x852		15	20	100.4	104.8
	1800X900	1848X948	1930X1030	1852x952		15	20	108.6	113.6

*The size is in the list is just for reference, it is can be customerized according to the actual situation of the vessel.

3.Mounting of the heated glass pane fro fixed rectangular window for wheel house should conform to the requirements of ISO3434, power loading and parameters necessary for the glass pane as below.

Electrical Supply			Overheating protection device	Minimum power loading w/dw2		
Current	Voltage (V)	Frequency (HZ)		7	12	17
Code						



DC	24	-	G	7G01	12G01	17G01
			S	7S01	12S01	17S01
	110	-	G	7G02	12G02	17G02
			S	7S02	12S02	17S02
	220	-	G	7G03	12G03	17G03
			S	7S03	12S03	17S03
G---group regulator, S---single regulator						