

Jinbo Marine

Marine & Offshore Equipment Datasheet

PRODUCT DATASHEET

MARINE COVER

Steel Hatch Cover Type B

Steel Small Size Hatch Cover Standard: CB/T3728-1995 It is used for small size hatch cover of various ships, meet ISO 5778-1979, and have the Type A, B,C, D, E,F. Type B is Both Side Opened/Closed Weathertigh...

ISO9001 Supplier

Class Certificate

Export Supply



Key Highlights

Category	Marine Cover
Standard	ISO
Material	Steel
Weight / Size	Steel Small Size Hatch Cover Standard:
Certificate	CCS, BV, ABS, GL, LR, DNV, NK,RINA, KR,IRS

We can supply according to your requirement, drawings, class certificate needs, and delivery schedule.

Technical Specifications

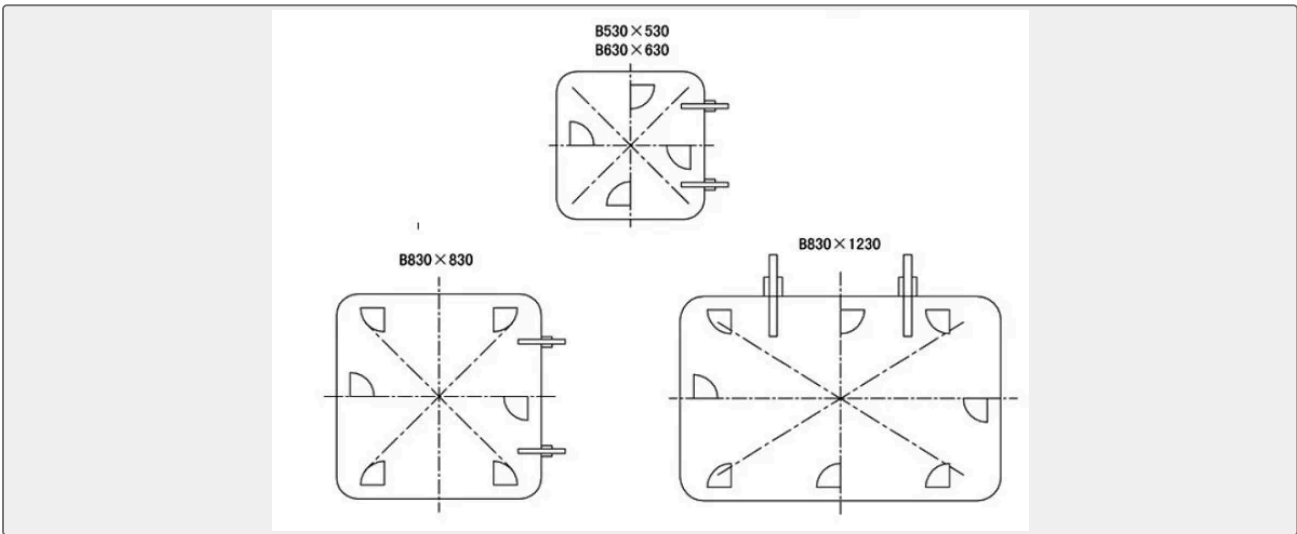
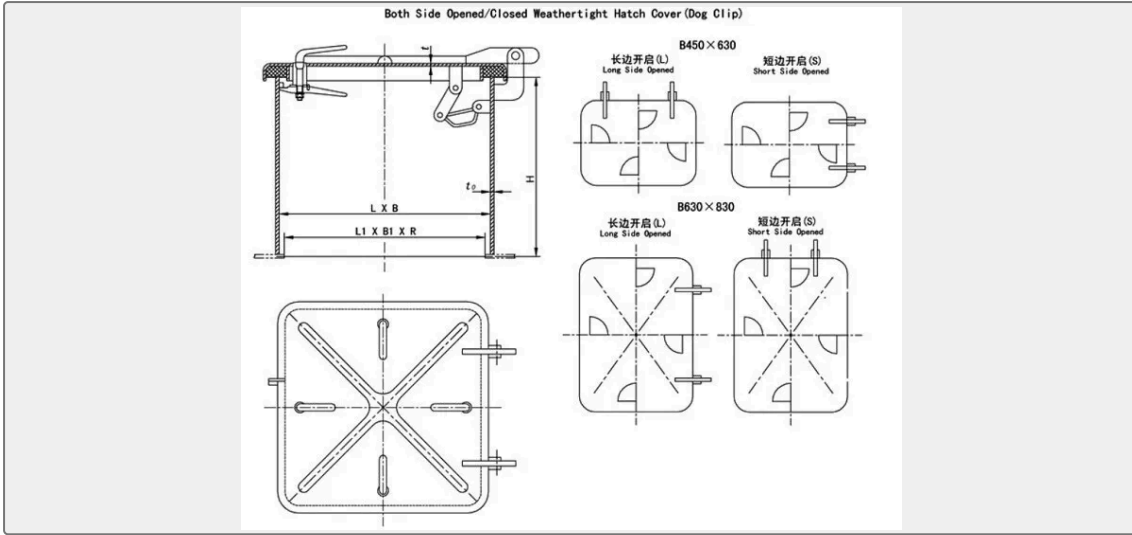
Category	Marine Cover	Model / SKU	Steel-Hatch-Cover-Type-B
Standard	ISO	Material	Steel
Weight / Size	Steel Small Size Hatch Cover Standard:	Certificate	CCS, BV, ABS, GL, LR, DNV, NK,RINA, KR,IRS
Warranty	12 Months unless specified otherwise	Origin	China

CONTENTS

- China Steel Hatch Cover Type B:
- Main Material:
- Main Size List(mm):



China Steel Hatch Cover Type B:



Steel Small Size Hatch Cover Standard: CB/T3728-1995

It is used for small size hatch cover of various ships, meet ISO 5778-1979, and have the Type A, B,C, D, E,F.

Type B is Both Side Opened/Closed Weathertight Hatch Cover With Dog Clip

*The counter weight is added according to the size or the customer's request.

Main Material:

Cover-Steel

Coaming-Steel

Dog Clip-Steel, Stainless Steel or Copper or Steel with galv

Main Size List(mm):

Nominal Size(LXB)	Size of doorway(L1XB1XR)	Size of Cover (L2XB2)	Thick of cover (t)	Coaming		Dog Clip		Weight(KG)
				to	H	Di	Qty	



450*630	420*600*100	508*688	4	4.6	10 0 15 0 20 0 25 0	4	28. 7
		512*692	6	6.8			35. 4
		516*696	8	8.1 1			42. 0
530*530	500*500*100	508*588	4	4.6	45 0 60 0		28. 5
		592*592	6	6.8			35. 1
		596*596	8	8.1 1			41. 7
630*630	600*600*100	688*688	4	4.6			33. 5
		692*692	6	6.8			42. 4
		696*696	8	8.1 1			51. 2
630*830	600*800*100	688*888	4	4.6			39. 7
		692*892	6	6.8			51. 2
		696*896	8	8.1 1			62. 3
830*830	800*800*100	888*888	4	4.6		6	51. 2
		892*892	6	6.8			65. 3
		896*896	8	8.1 1			79. 4
830*1230	800*1200*100	888*1288	4	4.6		8	71. 4
		892*1292	6	6.8			91. 5

Remarks:

- 1)The weight is not including the coaming weight.
- 2)The thickness and the height of the coaming are decided by the customer.