

MARINE COVER

Steel Hatch Cover Type D

Steel Small Size Hatch Cover Standard: CB/T3728-1995 It is used for small size hatch cover of various ships, meet ISO 5778-1979, and have the Type A, B,C, D, E,F. Type D is Sunk We...

ISO9001 Supplier

Class Certificate

Export Supply



Key Highlights

Category	Marine Cover
Standard	ISO
Material	Steel
Weight / Size	Steel Small Size Hatch Cover Standard:
Certificate	CCS, BV, ABS, GL, LR, DNV, NK,RINA, KR,IRS

We can supply according to your requirement, drawings, class certificate needs, and delivery schedule.

Technical Specifications

Category	Marine Cover	Model / SKU	Steel-Hatch-Cover-Type-D
Standard	ISO	Material	Steel
Weight / Size	Steel Small Size Hatch Cover Standard:	Certificate	CCS, BV, ABS, GL, LR, DNV, NK,RINA, KR,IRS
Warranty	12 Months unless specified otherwise	Origin	China

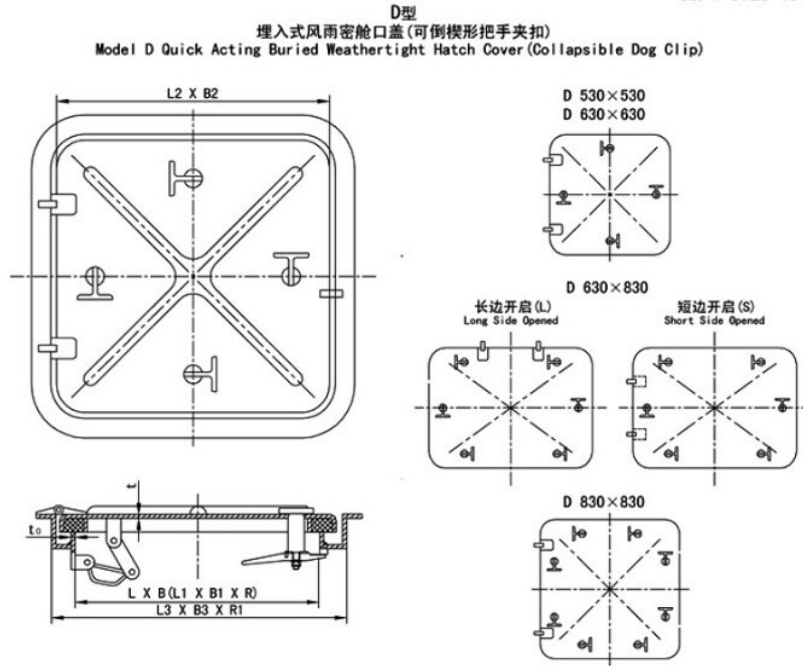
CONTENTS

■ China Steel Hatch Cover Type D:

■ Main Size List(mm):



China Steel Hatch Cover Type D:



Steel Small Size Hatch Cover Standard: CB/T3728-1995

It is used for small size hatch cover of various ships, meet ISO 5778-1979, and have the Type A, B,C, D, E,F.

Type D is Sunk Weathertight Hatch Cover With collapsible dop clip

Main Size List(mm):

Nominal Size	Clear Size of Opening	Cover Size	Deck Opening Size	Cover Thickness	Coaming Thickness	Clip Qty	Weight
LXB	L1XB1XR	L2XB2	L3XB3XR1	t	t0		kgs
530X530	530X530X115	588X588	622X622X161	4	6	4	46.7
		592X592	622X622X161	6	6		53.3
		596X596	626X626X163	8	8		63.6
630X630	630X630X115	688X688	722X722X161	4	6		57.4
		692X692	722X722X161	6	6		66.1
		696X696	726X726X163	8	8		80.5
630X830	630X830X115	688X888	722X922X161	4	6	6	73.9
		692X892	726X926X163	6	8		91.5
		696X896	726X926X163	8	8		106.3
830X830	830X830X115	892X892	926X926X163	6	8	8	114.9
		896X896	926X926X163	8	8		129

