

Jinbo Marine

Marine & Offshore Equipment Datasheet

PRODUCT DATASHEET

MARINE COVER

Steel Quick Acting Weathertight Hatch Cover

ISO9001 Supplier

Class Certificate

Export Supply

Quick Acting Weathertight Hatch Cover is CB/T3728-1995 Type C, meets the requirements of ISO5778-1979, open/closed by the Central Handwheel. *The counter weight is added according to the size or the customer's requ...



Key Highlights

Category	Marine Cover
Standard	ISO
Material	Steel
Weight / Size	*The counter weight is added according to the size or the customer's req...
Certificate	CCS, BV, ABS, GL, LR, DNV, NK,RINA, KR,IRS

We can supply according to your requirement, drawings, class certificate needs, and delivery schedule.

Technical Specifications

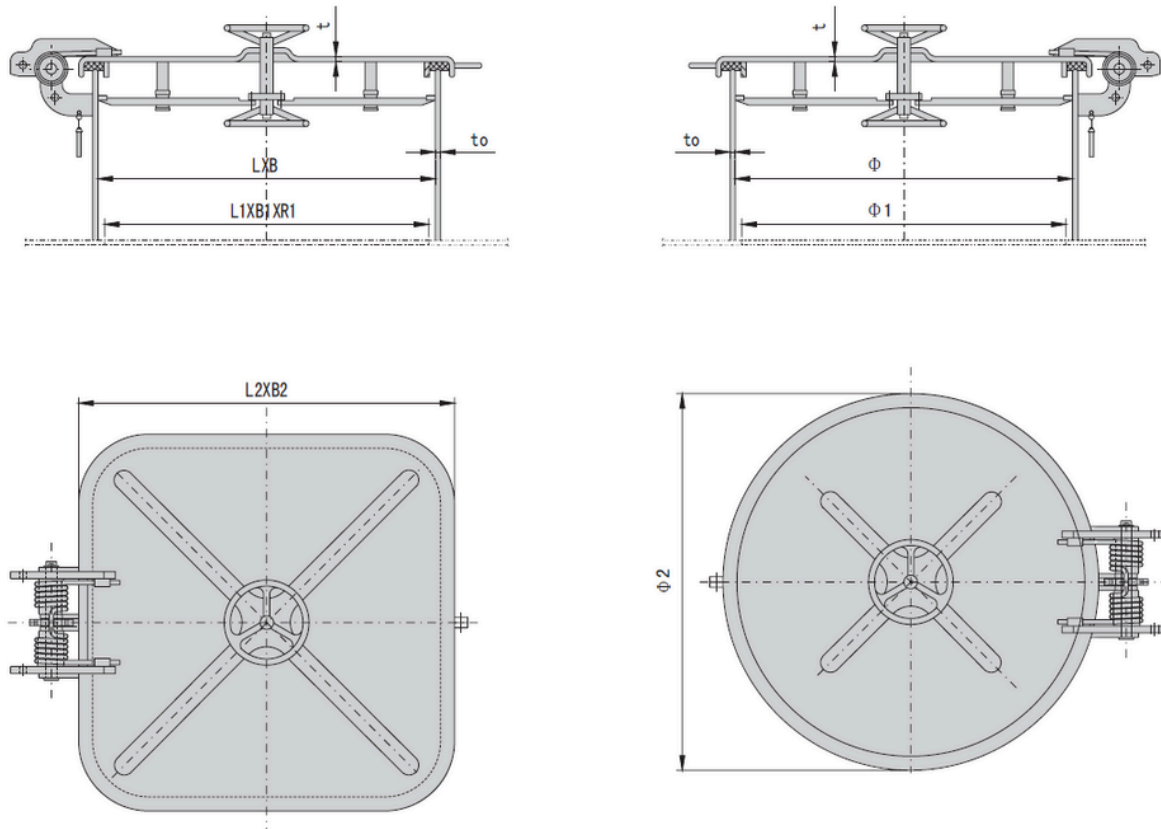
Category	Marine Cover	Model / SKU	Steel-Quick-Acting-Weathertight-Hatch-Cover
Standard	ISO	Material	Steel
Weight / Size	*The counter weight is added according to the size or the customer's request.	Certificate	CCS, BV, ABS, GL, LR, DNV, NK,RINA, KR,IRS
Warranty	12 Months unless specified otherwise	Origin	China

CONTENTS

- China Steel Quick Acting Weathertight Hatch Cover:
- Main Material:
- Main Size List(mm):



Steel Quick Acting Weathertight Hatch Cover Drawing



China Steel Quick Acting Weathertight Hatch Cover:

Quick Acting Weathertight Hatch Cover is CB/T3728-1995 Type C, meets the requirements of ISO5778-1979, open/closed by the Central Handwheel.

*The counter weight is added according to the size or the customer's request.

Main Material:

Cover-Steel

Coaming-Steel

Handwheel-Steel, Stainless Steel or Steel with galv

Main Size List(mm):

Nominal Size	Clear Size of opening	Cover Size	Cover Thickness	Coaming		Weight
LxB (ø)	L1xB1xR (ø1)	L2xB2(ø2)	t	to	H	kgs

530x530	500x500x100	588x588	4	4,6	150 200 250 450 600	44.8
		592x592	6	6,8		51.4
		596x596	8	8,11		58
630x630	600x600x100	688x688	4	4,6		50
		692x692	6	6,8		58.7
		696x696	8	8,11		67.5
ø530	500	588	4	4,6		42.2
		592	6	6,8		47.5
		596	8	8,11		52.8
ø630	600	688	4	4,6	46.1	
		692	6	6,8	53.2	
		696	8	8,11	60.2	

Remarks:

- 1)The weight is not including the coaming weight.
- 2)The thickness and the height of the coaming are decided by the customer.