

Jinbo Marine

Marine & Offshore Equipment Datasheet

PRODUCT DATASHEET

MARINE WINCH

Steel Wire Reel JISF 3430-1980

it also can be named as marine steel wire mooring reel, steel wire rope reel for ship, ship steel wire rope reel, marine steel wire rope mooring reel, marine rope reel for mooring, mooring rope reel, mooring wire reel etc. ...

ISO9001 Supplier

Class Certificate

Export Supply



Key Highlights

Category	Marine Winch
Standard	JIS
Material	Cast Steel
Weight / Size	Steel Wire Reel JISF 3430-1980 Nominal size B D D1 d d1 L L1 Winding cap...
Certificate	ABS , BV, DNV , LR , GL , CCS, RINA , mill certificate etc.

We can supply according to your requirement, drawings, class certificate needs, and delivery schedule.

Technical Specifications

Category	Marine Winch	Model / SKU	Steel-Wire-Reel-JISF-3430-1980
Standard	JIS	Material	Cast Steel
Weight / Size	Steel Wire Reel JISF 3430-1980 Nominal size B D D1 d d1 L L1 Winding capacity Weight(kg) 35 650 350 700 50 40 800 950 Φ25*200m 190 38 650 380 780 55 45 850 1000 Φ28*200m 215 40 700 400 850 60 50 900 1050 Φ31.5*200m 240	Certificate	ABS , BV, DNV , LR , GL , CCS, RINA , mill certificate etc.
Warranty	12 Months unless specified otherwise	Origin	China

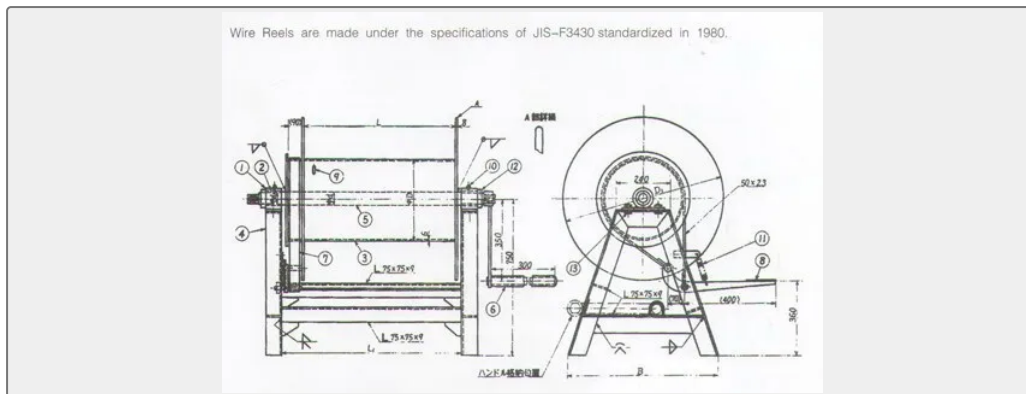
CONTENTS

- China Steel Wire Reel JISF 3430-1980:
 - Feature:
- Product description:



0.036989s

China Steel Wire Reel JISF 3430-1980:



it also can be named as marine steel wire mooring reel, steel wire rope reel for ship, ship steel wire rope reel, marine steel wire rope mooring reel, marine rope reel for mooring, mooring rope reel, mooring wire reel etc.

Feature:

1. Can be produced according to drawing
2. Certificate: ABS, BV, GL, etc.
3. Used for storage of steel wire rope

Product description:

1. Steel wire rope dia.: 13mm---32mm
2. Steel wire rope length: 120-190m
3. Material: Marine grade cast steel
4. Use for the storage of ship steel wire rope on all kinds of ships.
5. All kinds of wire reel, mooring reel can be provide.

Steel Wire Reel JISF 3430-1980									
Nominal size	B	D	D1	d	d1	L	L1	Winding capacity	Weight(kg)
35	650	350	700	50	40	800	950	Φ25*200m	190
38	650	380	780	55	45	850	1000	Φ28*200m	215
40	700	400	850	60	50	900	1050	Φ31.5*200m	240