

MARINE STOCKLESS ANCHOR

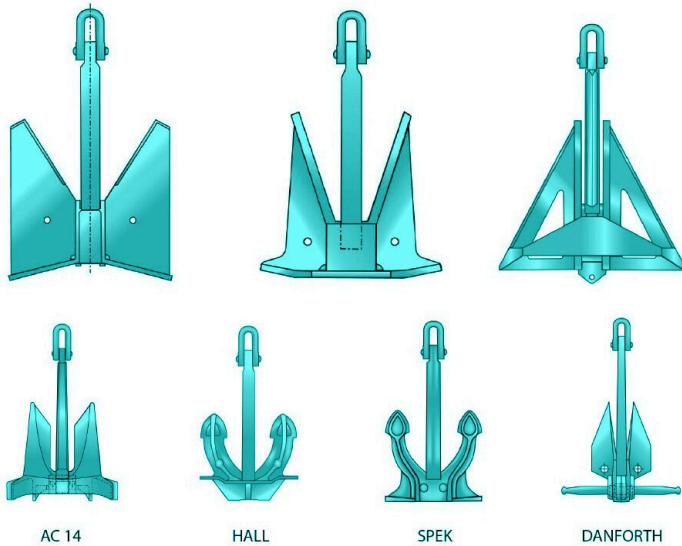
Stockless Anchor

Hall Anchor Type A B C, Japan Stockless Anchor, SPEK Anchor, U.S Navy Stockless Anchor; Hall Anchor ,Japan Stockless anchor and SPEK Anchor is most popular stockless anchor for ship.

ISO9001 Supplier

Class Certificate

Export Supply



Key Highlights

Category	Marine Stockless Anchor
Standard	DIN
Material	Casting Steel
Weight / Size	Stockless Anchor China Stockless anchor is commonly and conventional anc...
Certificate	ABS, LR, BV, DNV, NK

We can supply according to your requirement, drawings, class certificate needs, and delivery schedule.

Technical Specifications

Category	Marine Stockless Anchor	Model / SKU	Stockless-Anchor
Standard	DIN	Material	Casting Steel
Weight / Size	Stockless Anchor China Stockless anchor is commonly and conventional anchor, with good holding power to weight ratio, and easy dropping anchor, penetrate to seabed easily.	Certificate	ABS, LR, BV, DNV, NK
Warranty	12 Months unless specified otherwise	Origin	China

CONTENTS

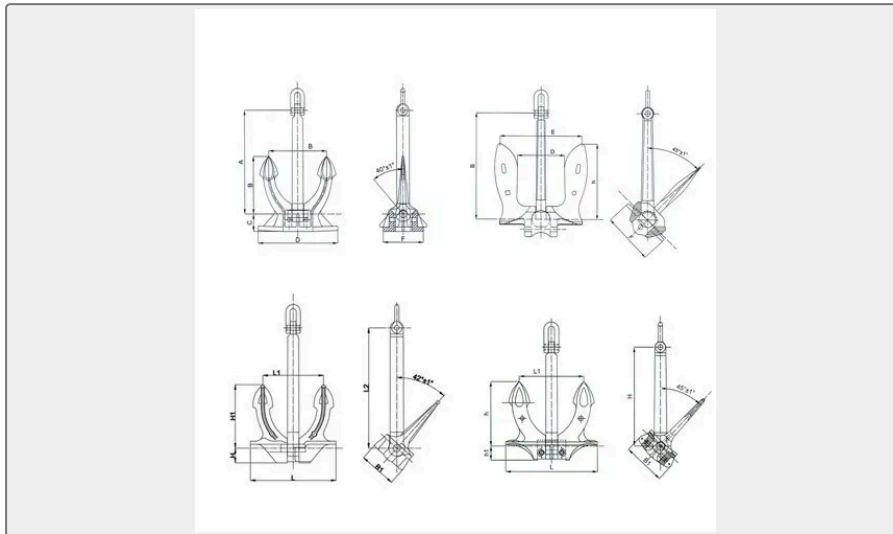
- Stockless Anchor
- Types of Stockless Anchor
- Fast delivery:
- Our Service



Stockless Anchor

China Stockless anchor is commonly and conventional anchor, with good holding power to weight ratio, and easy dropping anchor, penetrate to seabed easily.

We supplied a lot of stockless anchor to Singapore, Indonesia, Malaysia, Thailand, Vietnam, New Zealand and other countries and region, please contact our sales teams.



Types of Stockless Anchor

Hall Anchor, Type A, B, C.

95 SPEK Anchor

Type M SPEK Anchor

Type SR SPEN Anchor

Japan Stockless Anchor

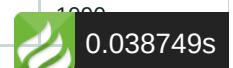
U.S. Navy Stockless Anchor

Baldt Stockless Anchor

Weight/Mass (KG)	Size(mm)					
	L	L1	L2	H	H1	H2
180KGS	650	459	910	111	480	280
240KGS	720	510	1010	122	530	310
300KGS	770	540	1080	131	570	331
360KGS	820	580	1150	139	610	353
420KGS	860	610	1200	146	640	370
480KGS	900	640	1260	153	670	387
570KGS	950	670	1330	162	700	408
660KGS	1000	710	1440	170	740	430
780KGS	1060	750	180	180	780	



900KGS	1110	780	1550	189	820	477
1020KGS	1160	820	1620	197	860	500
1140KGS	1200	850	1680	204	890	520
1290KGS	1250	880	1750	212	920	540
1440KGS	1300	920	1820	221	960	560
1590KGS	1340	950	1880	228	990	580
1740KGS	1380	980	1930	235	1020	600
1920KGS	1430	1010	2000	243	1060	620
2100KGS	1470	1040	2060	250	1090	640
2280KGS	1510	1070	2110	257	1120	650
2460KGS	1550	1100	2170	264	1150	670
2640KGS	1590	1120	2230	270	1180	690
2850KGS	1630	1150	2280	277	1210	700
3060KGS	1670	1180	2340	284	12140	720
3300KGS	1710	1210	2390	291	1270	740
3540KGS	1750	1240	2450	298	1290	750
3780KGS	1790	1260	2510	304	1320	770
4050KGS	1830	1290	2560	311	1350	790
4320KGS	1870	1320	2620	318	1380	800
4590KGS	1910	1350	2670	325	1410	820
4890KGS	1950	1380	2730	332	1440	840
5250KGS	2000	1410	2800	340	1480	860
5610KGS	2040	1440	2860	347	1510	880
6000KGS	2090	1480	2930	355	1540	900
6450KGS	2140	1510	3000	364	1580	920
6900KGS	2190	1550	3070	372	1620	940
7350KGS	2260	1600	3140	380	1660	960
7800KGS	2280	1610	3190	388	1680	980
8300KGS	2330	1650	3260	396	1720	1000
8700KGS	2380	1670	3320	403	1750	1020
9300KGS	2420	1710	3390	411	1790	1040
9900KGS	2470	1740	3460	420	1820	1060
10500KGS	2540	1800	3530	430	1880	1080



11100KGS	2540	1800	3600	430	1880	1090
11700KGS	2630	1855	3650	445	1945	1130
12300KGS	2630	1855	3710	445	1945	1130
12900KGS	2670	1885	3770	453	1975	1170
13500KGS	2670	1885	3840	453	1975	1170
14100KGS	2780	1960	3890	473	2050	1200
14700KGS	2820	1990	3950	479	2080	1210
15400KGS	2860	2020	4000	486	2110	1230
16100KGS	2900	2050	4060	493	2140	1250
16900KGS	2950	2080	4130	500	2180	1270
17800KGS	3000	2120	4200	510	2210	1290
18800KGS	3060	2160	4280	520	2260	1320
20000KGS	3120	2200	4370	530	2300	1340
21500KGS	3200	2260	4480	540	2360	1380
23000KGS	3270	2310	4580	560	2140	1410
24500KGS	3340	2360	4680	570	2460	1440
26000KGS	3410	2410	4770	580	2520	1470
27500KGS	3470	2450	4860	590	2560	1490
29000KGS	3530	2490	4840	600	2610	1520
31000KGS	3610	2550	5050	640	2660	1550
33000KGS	3690	2610	5170	630	2720	1590
35500KGS	3780	2670	5290	640	2790	1630
38500KGS	3880	2740	5430	660	2860	1670
42000KGS	4000	2820	5600	680	2950	1720
46000KGS	4120	2910	5770	700	3040	1770

Fast delivery:

We can delivery to everywhere around the world(Incoterms 2010)





Our Service

1. 100% factory tested before shipment.
2. Any Inquiries will be replied within 24 hours.
3. Supply of chemicals,filter elements,membranes and other consumable spare parts.
4. One year quality warranty unless specified otherwise.
5. Professional and reliable supplier.
6. Good After Sale Service:
 - 1).All products will have been strictly Quality Checked before packing.
 - 2).All products will be well packed before shipping.
7. Fast delivery.