

HYDRAULIC SQUARE FLANGE

Straight Hydraulic Square Flange

Hydraulic square flange is also called hydraulic flange or hydraulic square flange plate. The hydraulic saure flange is the part that connects the pipe to the pipe and on the end of the pipe. It is used the high pressure...

- ISO9001 Supplier
- Class Certificate
- Export Supply



Key Highlights

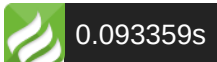
Category	Hydraulic Square Flange
Standard	EN
Material	Carbon Steel , Stainless Steel
Weight / Size	PN10MPa,PN16MPa, PN21MPa, PN28MPa, PN35MPa Type A---with O-ring sealing ...
Certificate	CCS, BV, DNV/GL

We can supply according to your requirement, drawings, class certificate needs, and delivery schedule.

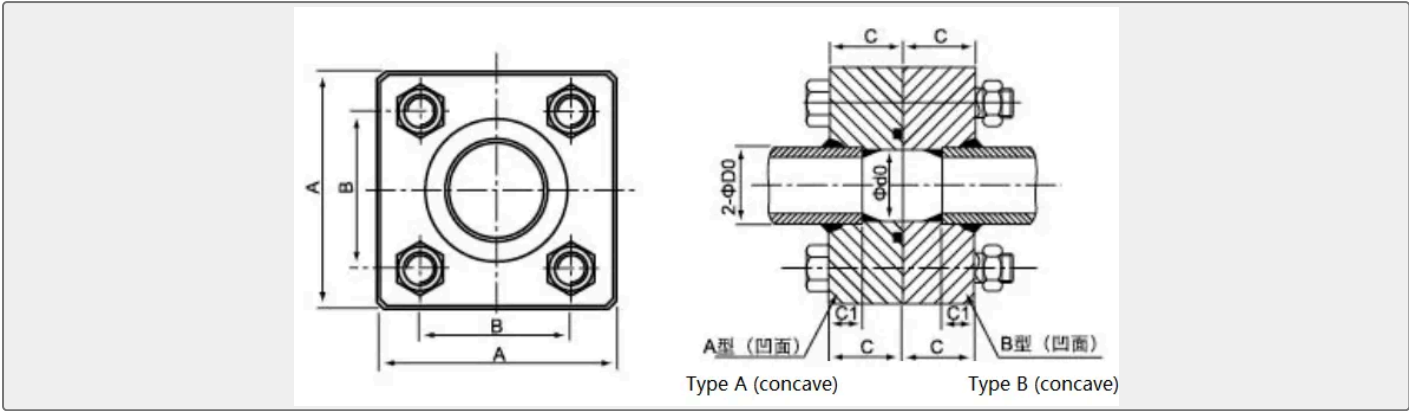
Technical Specifications

Category	Hydraulic Square Flange	Model / SKU	Straight-Hydraulic-Square-Flange
Standard	EN	Material	Carbon Steel , Stainless Steel
Weight / Size	PN10MPa,PN16MPa, PN21MPa, PN28MPa, PN35MPa Type A---with O-ring sealing groove Type B--without O-ring sealing groove Main Size List(mm):	Certificate	CCS, BV, DNV/GL
Warranty	12 Months unless specified otherwise	Origin	China

CONTENTS	■ China Straight Hydraulic Square Flange:	■ Specification:
	■ Main Size List(mm):	



China Straight Hydraulic Square Flange:



Hydraulic square flange is also called hydraulic flange or hydraulic square flange plate. The hydraulic square flange is the part that connects the pipe to the pipe and on the end of the pipe. It is used in the high pressure pipe system. The Hydraulic Square Flange consists of a pair of flanges, a gasket and a number of bolt nuts.

Specification:

Material: Carbon Steel, Stainless Steel SUS304, 316, 316L

Certificate: CCS, BV, DNV/GL

Pressure: PN10MPa, PN16MPa, PN21MPa, PN28MPa, PN35MPa

Type A---with O-ring sealing groove

Type B---without O-ring sealing groove

Main Size List(mm):

Nominal Diameter	Steel Pipe OD	A	B	C	C1	d0	Hex Bolt	O-ring
Nominal Pressure≤28Mpa, Test Pressure≤42Mpa								
DN10	18	60	37	22	11	16	M10*60	D25*3.55
DN15	22	65	42	22	11	20	M10*60	D28*3.55
DN20	27	72	45	28	13	25	M12*75	D32.5*3.55
DN25	34	80	52	28	13	32	M12*75	D40*3.55
DN32	42	90	62	30	16	40	M14*80	D47.5*3.55
DN40	48	100	70	35	18	46	M16*90	D54.5*3.55
DN50	60	120	85	40	22	57	M20*110	D67*3.55
DN65	76	130	98	40	22	73	M20*110	D82.5*3.55
Nominal Pressure≤16Mpa, Test Pressure≤24Mpa								
DN80	89	150	110	48	24	86	M22*130	D95*3.55
DN100	114	170	125	50	24	110	M22*130	D118*3.55
DN125	139.7	200	150	56	28	136	M24*150	D145*3.55

DN150	168	230	180	56	30	165	M24*150	D175*3.55
-------	-----	-----	-----	----	----	-----	---------	-----------