

FILTER

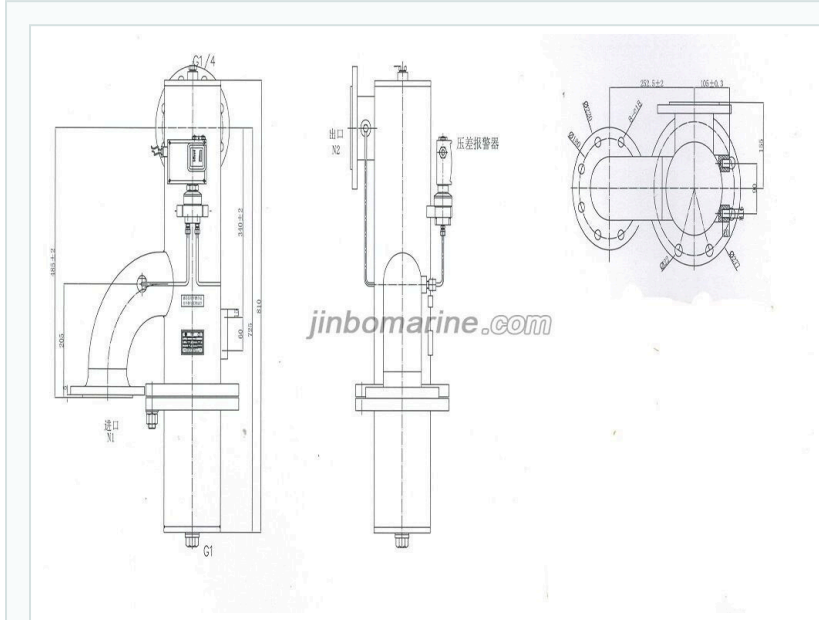
Strainer For Run-in Period

Strainer For Run-in Period Drawing Strainer For Run-in Period Technical Parameters Filter precision Work pressure Flow Work t...

ISO9001 Supplier

Class Certificate

Export Supply



Key Highlights

Category	Filter
Standard	EN
Weight / Size	Strainer For Run-in Period Drawing Strainer For Run-in Period Technical ...
Certificate	ABS, LR, BV, DNVGL, NK, KR, IRS, RMRS, CCS

We can supply according to your requirement, drawings, class certificate needs, and delivery schedule.

Technical Specifications

Category	Filter	Model / SKU	Strainer-For-Run-in-Period
Standard	EN	Weight / Size	Strainer For Run-in Period Drawing Strainer For Run-in Period Technical Parameters Filter precision Work pressure Flow Work temperature N1,N2 inlet/outlet specification Weight 37um ≤1.0MPa ≤96M³/h ≤80°C DN100 EN1092/11C PN16 61±3%kg
Certificate	ABS, LR, BV, DNVGL, NK, KR, IRS, RMRS, CCS	Warranty	12 Months unless specified otherwise
Origin	China		

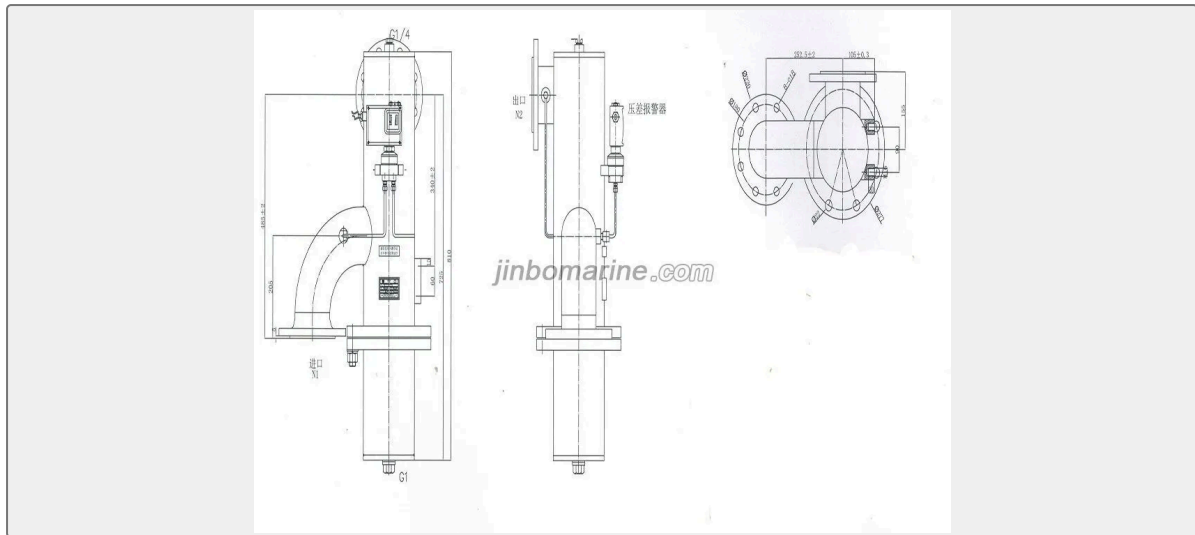
CONTENTS

■ Strainer For Run-in Period Drawing

■ Strainer For Run-in Period Technical Parameters



Strainer For Run-in Period Drawing



Strainer For Run-in Period Technical Parameters

Filter precision	Work pressure	Flow	Work temperature	N1,N2 inlet/outlet specification	Weight
37um	$\leq 1.0\text{MPa}$	$\leq 96\text{M}^3/\text{h}$	$\leq 80^\circ\text{C}$	DN100 EN1092/11C PN16	$61\pm 3\%\text{kg}$