

Jinbo Marine

Marine & Offshore Equipment Datasheet

PRODUCT DATASHEET

OTHER MARINE VALVES & ACCESSORIES

Suction Bellmouth CB/T495-1995 Type B/BS

ISO9001 Supplier

Class Certificate

Export Supply

Suction Bellmouth is used as the inlet of the oil tank, water tank in all kinds of vessels. Design Standard: CB/T495-1995 Flange Standard: GB569, GB2501 or JIS, DIN, ANSI standard. ...



Key Highlights

Category	Other Marine Valves & Accessories
Standard	JIS
Material	Cast Iron
Weight / Size	Type Nominal Size(mm) Suitable Medium A, AS 20-300 Fresh Waer, Sea Water...
Certificate	Mill certificate

We can supply according to your requirement, drawings, class certificate needs, and delivery schedule.

Technical Specifications

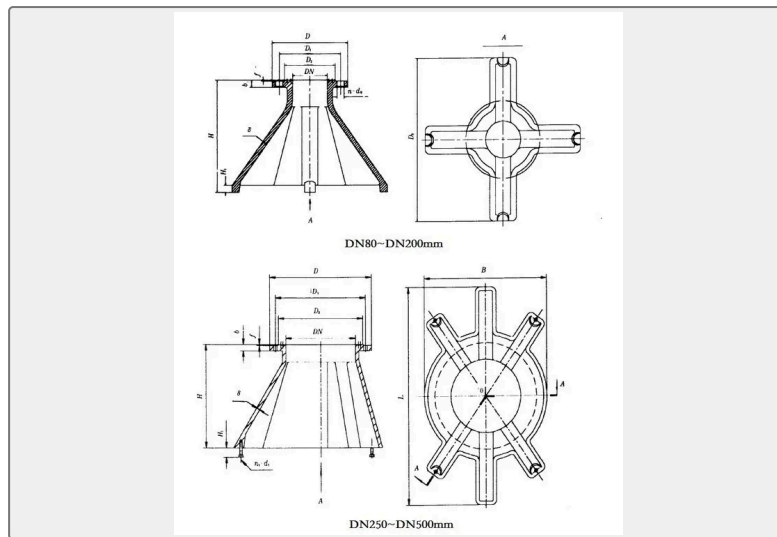
Category	Other Marine Valves & Accessories	Model / SKU	Suction-Bellmouth-CB-T495-1995-Type-B-BS
Standard	JIS	Material	Cast Iron
Weight / Size	Type Nominal Size(mm) Suitable Medium A, AS 20-300 Fresh Waer, Sea Water, Oil B,BS 80-500 C 20-300 *When type B,BS is used on the tank, the bottom should be welded a circle of bronze.	Certificate	Mill certificate
Warranty	12 Months unless specified otherwise	Origin	China

CONTENTS

- China Suction Bellmouth CB/T495-1995 Type B/BS:
- Main Parts & Material:
- Main Size List(mm):



China Suction Bellmouth CB/T495-1995 Type B/BS:



Suction Bellmouth is used as the inlet of the oil tank, water tank in all kinds of vessels.

Design Standard: CB/T495-1995

Flange Standard: GB569, GB2501 or JIS, DIN, ANSI standard.

Type	Nominal Size(mm)	Suitable Medium
A, AS	20-300	Fresh Waer, Sea Water, Oil
B,BS	80-500	
C	20-300	

*When type B,BS is used on the tank, the bottom should be welded a circle of bronze.

*The suction inlet should pass the watertight test with 3minutes, and without leakage.

Main Parts & Material:

Body---Cast Iron (HT200)

Screw---Brass (H62)

Main Size List(mm):

For Type B:

DN	D3	H	H1	δ	D	D1	D2	b	d0	f	n	Th.
80	350	230	15	10	170	138	118	15	15	1	8	M14
100		250			190	158	138					
125	370	260	20		215	183	164	16				
150	390	270	12	240	208	190						
200	450		30	295	264	247						

DN	L	B	H	H1	δ	n1	d1	D	D1	D2	b	d0	f	n	Th.
250	740	440	350	30	12	4	M10	365	327	306	18	17	1	14	M16
300	830	490	420	35				430	386	360	19	21			M20
350	920	550	490	40				M12	480	436	410	20			
400	1010	600	560	45			530		486	460	21	18			
450	1100	650	630	50			580		536	512	22				
500	1190	710	700	635			591		567	22					20

For Type BS:

DN	D3	H	H1	δ	D	D1	D2	b	d0	f	n	Th.	
80	350	230	15	10	190	150	128	18	18	3	4	M16	
100		250			210	170	148						
125	370	260	20		240	200	178	20					8
150	390	270			265	225	202						
200	450	30	320		280	258	22						

DN	L	B	H	H1	δ	n1	d1	D	D1	D2	b	d0	f	n	Th.
250	740	440	350	30	12	4	M10	375	335	312	24	18	3	12	M16
300	830	490	420	35				440	395	365	22	4			M20
350	920	550	490	40				M12	490	445					
400	1010	600	560	45			540		495	465	28				
450	1100	650	630	50			595		550	520	30				
500	1190	710	700	645			600		570	30		20			