

Jinbo Marine

Marine & Offshore Equipment Datasheet

PRODUCT DATASHEET

OTHER MARINE VALVES & ACCESSORIES

Suction Inlet CB/T495-1995 Type A/AS

Suction Inlet is used as the inlet of the oil tank, water tank in all kinds of vessels. Design Standard: CB/T495-1995 Flange Standard: GB569, GB2501 or JIS, DIN, ANSI standard. Typ...

ISO9001 Supplier

Class Certificate

Export Supply



Key Highlights

Category	Other Marine Valves & Accessories
Standard	JIS
Material	Carbon Steel
Weight / Size	Type Nominal Size(mm) Suitable Medium A, AS 20-300 Fresh Waer, Sea Water...
Certificate	Mill certificate

We can supply according to your requirement, drawings, class certificate needs, and delivery schedule.

Technical Specifications

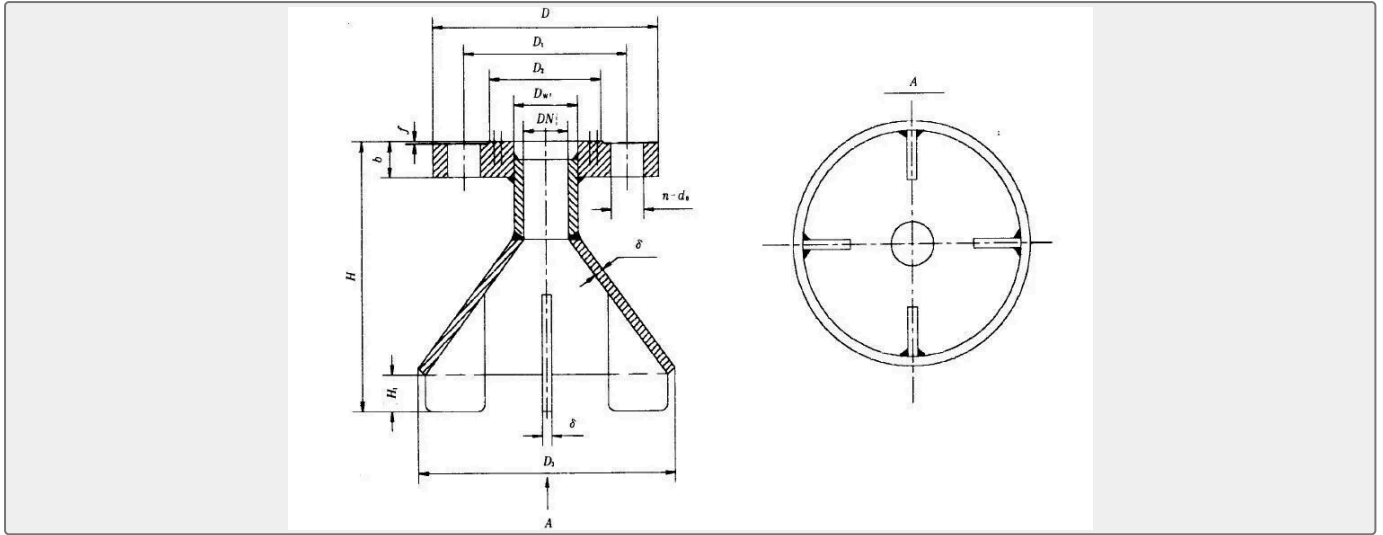
Category	Other Marine Valves & Accessories	Model / SKU	Suction-Inlet-CB-T495-1995-Type-A-AS
Standard	JIS	Material	Carbon Steel
Weight / Size	Type Nominal Size(mm) Suitable Medium A, AS 20-300 Fresh Waer, Sea Water, Oil B,BS 80-500 C 20-300 *When type A,AS is used on the water tank, the suction inlet should be with hot dip galvanizing.	Certificate	Mill certificate
Warranty	12 Months unless specified otherwise	Origin	China

CONTENTS

- China Suction Inlet CB/T495-1995 Type A/AS:
- Main Parts & Material:
- Main Size List(mm):

 0.049705s

China Suction Inlet CB/T495-1995 Type A/AS:



Suction Inlet is used as the inlet of the oil tank, water tank in all kinds of vessels.

Design Standard: CB/T495-1995

Flange Standard: GB569, GB2501 or JIS, DIN, ANSI standard.

Type	Nominal Size(mm)	Suitable Medium
A, AS	20-300	Fresh Waer, Sea Water, Oil
B,BS	80-500	
C	20-300	

*When type A,AS is used on the water tank, the suction inlet should be with hot dip galvanizing.

*The suction inlet should pass the watertight test with 3minutes, and without leakage.

Main Parts & Material:

Flange---Carbon Steel

Body---Carbon Steel

Support---Carbon Steel

Main Size List(mm):

For Type A:

DN	Dw	D3	H	H1	δ	D	D1	D2	b	d0	f	n	Th.
----	----	----	---	----	---	---	----	----	---	----	---	---	-----

20	25	100	110	15	4	95	68	48	13	13	1	4	M12
25	30	105	115			105	73	56	14				
32	38	110	120			115	83	64	15	15		6	M14
40	45	125	125		4.5	125	93	74					
50	57	130	130			135	103	84					
65	70	160	140	20		155	123	104	14				
80	89	220	175		5	170	138	118				8	
100	108	250	185			190	158	138					
125	133	280	195	25		215	183	164				10	
150	159	320	205			240	208	190				12	
200	219	350	230	40	6	295	264	247	15				
250	273	480	315	45		365	327	306	16	17		14	M16
300	325	550	330	50	8	430	386	360	19	21			M20

For Type AS:

DN	Dw	D3	H	H1	δ	D	D1	D2	b	d0	f	n	Th.
20	26	100	110	15	4	90	65	50	14	11	2	4	M10
25	32	105	115			100	75	60					
32	42	110	120			120	90	70	16	14			M12
40	48	125	125		4.5	130	100	80			3		
50	60	130	130			140	110	90					
65	76	160	140	20		160	130	110					
80	89	220	175		5	190	150	128	18	18			M16
100	114	250	185			210	170	148					
125	140	280	195	25		240	200	178	20			8	
150	168	320	205			265	225	202					
200	219	350	230	40	6	320	280	258	22				
250	273	480	315	45		375	335	312	24			12	M20
300	325	550	330	50	8	440	395	365		22	4		